



RIDE ON!

CLUB



2024

SEA-DOO. *can-am* ALUMACraft. MANITOU.

can-am[®]

MAVERICK R Accessories Product Launch

More than 60 new accessories

CLUB  2024



Accessories

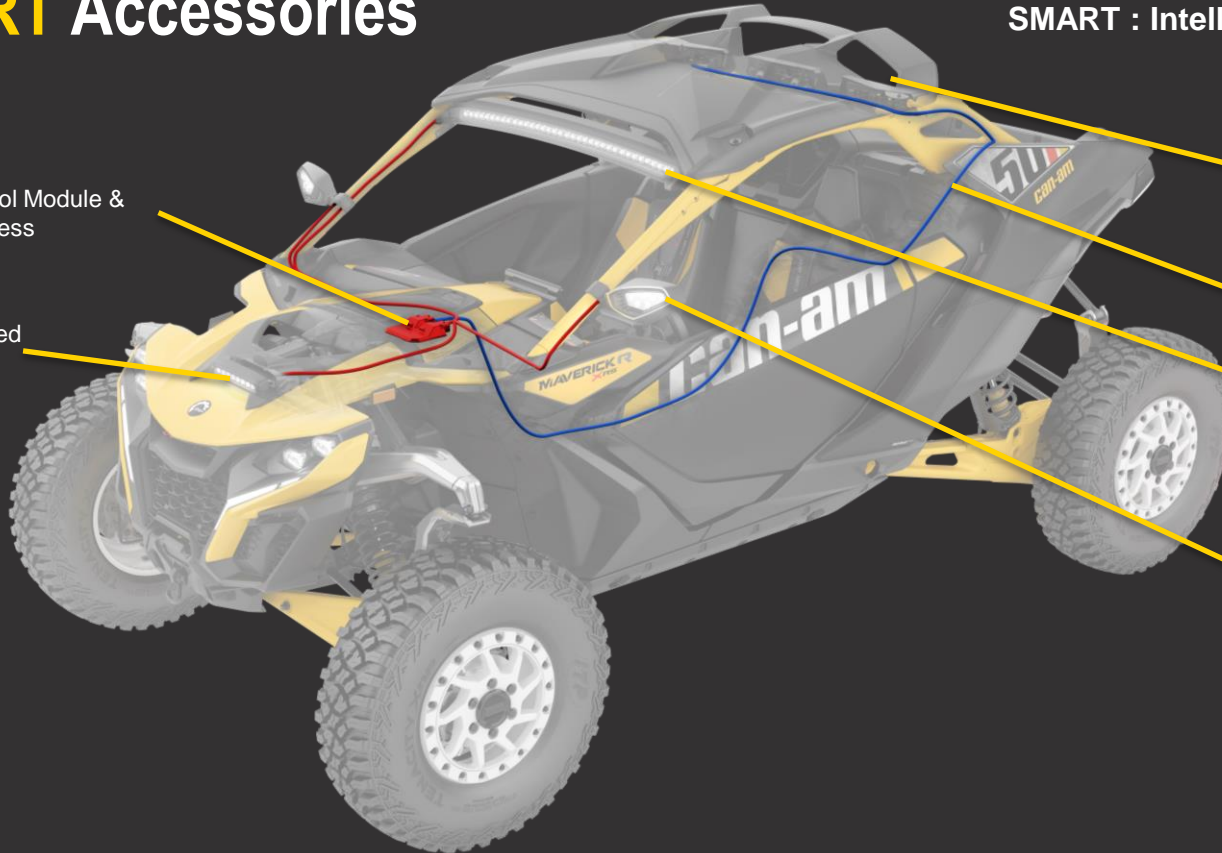
ACM & SMART Accessories

SMART Accessories

SMART : Intelligence Meets Accessories

Accessory Control Module & Front ACM Harness

SMART Integrated LED Hood Light



SMART LED Chase Lights

Rear ACM Harness

SMART Integrated LED Roof Light

SMART Integrated LED Side Mirror Lights

Driven by the Can-Am **ACM (Accessory Control Module)** the SMART accessories react to various sensors in the vehicle.

Accessory Control Module

SMART : Intelligence Meets Accessories

ACM



- Leverage real-time vehicle data & sensors to generate an automatic action or feature in our accessories.
- An Accessory Control Module (ACM) placed between the Unit's computers and our Accessories allows for program based accessory control rather than a physical switch with limited selections.
- Potential to control up to 19 accessories at the same time.
- HUB ID (Infotainment Screen) and/or SMART Control Center provides a human interface for the accessories' controls.

Optional SMART Control Center



HUB ID



Using live Vehicle ECU information to maximize your Accessory experience

SMART Accessories

SMART : Intelligence Meets Accessories

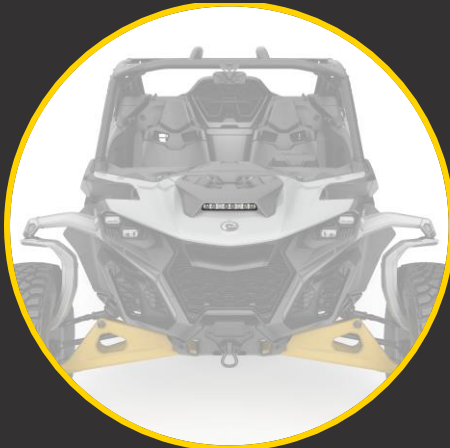
CAN-AM SMART Accessories

Industry first. These performance driven accessories react to the vehicle's dynamic to react in real time, but they help direct the rider's attention to the right area to maximize performance.

**SMART Integrated LED
Roof Light**



**SMART Integrated LED
Hood Light**



**SMART Integrated LED
Side Mirror Lights**



SMART feature

Lights gradually change from Flood to Spot with the increase of speed.

SMART feature

Following the steering inputs, the lights will focus on the direction of the curve.

Accessory Control Module (ACM)

Competitive Edge

- Add an Accessory Control Module to your vehicle and leverage real-time vehicle data & sensors to generate an automatic action in our SMART accessories. This is where accessories and intelligence meet!

Features & Descriptions

- Bringing the SMART to accessories using live vehicle ECU information to maximize your accessory experience.
- Connect your accessories to the 10.25" Color Touchscreen Display.
- Easy accessory installation (plug and play).
- Creates an ecosystem that makes installing accessories quicker and easier.
- Includes ACM Front Harness to connect front-mounted SMART accessories to the Accessory Control Module (two auxiliary connectors available).
- Requires ACM Rear Harness (715009268) to connect rear-mounted SMART accessories to the Accessory Control Module.

Q&A

Q: Can we connect non-smart accessories to the ACM?

A: Yes, some accessories such as the BAJA LED Lights and Intermittent Wiper Kit.

Q: Does it fit on the Maverick (SSP)?

A: No.



SKU : 715009796

Fits On : Maverick R

Installation time : 2.5 hr

Availability : September (SJSR) / November (Ghent)

Rear ACM Harness

Competitive Edge

- Make it easier and quicker to install accessories and customize your ride to your exact needs with the Rear ACM Harness. It's what you need to connect rear-mounted accessories and rear chase lights to the ACM.

Features & Descriptions

- Required to connect rear-mounted accessories and rear chase lights to the ACM.
- Creates an ecosystem that makes installing accessories quicker and easier.
- Five auxiliary connectors are available.

Q&A

Q: What other accessories fit the Rear ACM Harness other than the SMART LED Chase Lights?

A: At the moment, only the SMART LED Chase Lights fit, and other accessories are in development. Furthermore, there are auxiliary connectors allowing additional accessories.

Not illustrated

SKU : 715009268

Fits On : Maverick R

Installation time : 2 hr

Availability : August (SJSR) / November (Ghent)

SMART Integrated LED Roof Light

Competitive Edge

- The next generation of lights is here. The SMART Integrated LED Roof Light adapts to the speed of your vehicle and gradually changes from Flood to Spot to provide you with the precise intensity you need, when you need it.

Features & Descriptions

- Mounted under the roof for a signature look.
- Windshield compatible.
- Intensity varies (increases or decreases) according to the speed of the vehicle with the installation of the Accessory Control Module (ACM) (Spot/Flood ratio).
- Spot/Flood combo beam. 22 100 lumens.
- Off/Low/High (switch activated).
- Off/Low/High/SMART Automatic Mode (Accessory Control Module (ACM) activated).
- Accessory Control Module (715009796) is required for SMART functionality.
- Wiring harness (715008209) required for on/off function when ACM is not installed. Sold separately.

Q&A

Q: Does it fit on the Maverick (SSP)?

A: No.

Q: Is this compatible with the Audio Roof and Sport Roof?

A: Yes.



SKU : 715007322

Fits On : Maverick R

Installation time : 0.5 hr

Availability : August (SJSR) / November (Ghent)

SMART Integrated LED Hood Light

Competitive Edge

- The next generation of lights is here. The SMART Integrated LED Hood Light adapts to the speed of your vehicle and gradually changes from Flood to Spot to provide you with the precise intensity you need, when you need it.

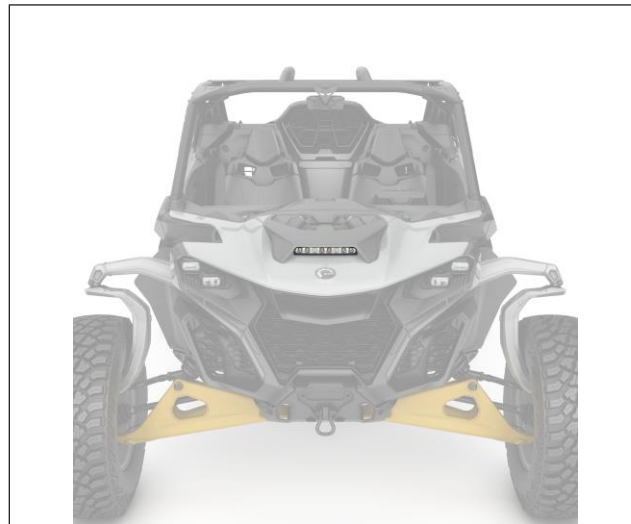
Features & Descriptions

- Mounted flush inside the hood scoop for a signature look.
- Intensity varies (increases or decreases) according to the speed of the vehicle with the installation of the Accessory Control Module (ACM) (Spot/Flood ratio).
- Spot/Flood combo beam.
- 5 250 lumens.
- Off/Low/High (switch activated).
- Off/Low/High/SMART Automatic Mode (Accessory Control Module (ACM) activated).
- Accessory Control Module (715009796) is required for SMART functionality.
- Wiring harness (715008211) required for on/off function when ACM is not installed. Sold separately.

Q&A

Q: Does it fit on the Maverick (SSP)?

A: No.



SKU : 715007378

Fits On : Maverick R

Installation time : 0.25 hr

Availability : August (SJSR) / November (Ghent)

SMART Integrated LED Side Mirror Lights

Competitive Edge

- The SMART Integrated LED Side Mirror Lights follow steering wheel input, increase the width of the beams, and illuminate your wheel path for increased visibility. When you head into a tight turn, the lights follow the turn and focus on the inside of the curve.

Features & Descriptions

- Light up corners.
- Increase the width of the beams and illuminate the wheels for increased visibility.
- Wide flood beam. 3000 lumens for each light.
- Left & right dynamic lighting with Accessory Control Module (ACM) install. Follow steering wheel input.
- Accessory Control Module (715009796) is required for SMART functionality.
- Wiring harness (715008212) required for on/off function when ACM is not installed. Sold separately.
- Require Aluminum Side Mirrors (715007363).

Q&A

Q: Do they fit on the Maverick (SSP)?

A: Yes, but with an on/off feature only. Aluminum Side Mirrors (715007363) are required for installation.



SKU : 715007185

Fits On : Maverick (SSP), Maverick (SSP) MAX, Maverick R

Installation time : 0.30 hr

Availability : August (SJSR) / November (Ghent)

SMART LED Chase Lights

Competitive Edge

- When riding in dusty or harsh conditions, staying visible is paramount. Make sure vehicles behind can spot you from afar with SMART LED Chase Lights. No more excuses not to be riding!

Features & Descriptions

- Designed by Can-Am to make you visible to vehicles riding behind you, especially in dusty or harsh conditions.
- Four modes available:
 - Trail Mode: serves as a tail light and as a brake light.
 - Chasing Mode: displays amber light pattern and serves as a brake light.
 - Work Mode: White light to light up your cargo bed.
 - Reverse Mode (when connected with Accessory Control Module (ACM)): serves as a back up light.
- Modular to allow installation with rear roll cage mounted accessories.
- Plug-and-play installation with the Accessory Control Module (ACM). Accessory Control Module (715009796) and Rear ACM Harness (715009268) are required for SMART functionality.
- Wiring harness (715008210) required for a non-smart function when ACM is not installed. Sold separately.

Q&A

Q: It looks like the Maverick (SSP) Chase Lights, what is different?

A: The blue chasing flash pattern has been removed after conflict in some riding areas.



SKU : 715007727

Fits On : Maverick R

Installation time : 0.5 hr

Availability : November (SJSR) / January (Ghent)

Intermittent Wiper & Washer Kit

Competitive Edge

- Don't let mud and rain block your view of the thrills ahead. Keep your windshield clear with an Intermittent Wiper and Washer Kit. Face whatever the weather has in store with this kit mounted on!

Features & Descriptions

- An ideal way to keep your windshield clear in the rain, or while riding through mud and water.
- The wiper mechanism and washer fluid dispenser are perfectly concealed on the vehicle.
- The wiper and washer fluid dispenser installs at the bottom of the windshield for maximum visibility.
- For use on Glass or Hardcoated Windshields.
- Intermittent wiper speed feature available when the kit is installed in combination with ACM.
- Wiring harness (715008855) required for on/off function when ACM is not installed. Sold separately.



SKU : 715007173

Fits On : Maverick R

Installation time : 1 hr

Availability : August (SJSR) / November (Ghent)

SMART Control Center for ACM

Competitive Edge

- Keep your eyes on the trail ahead with the SMART Control Center for ACM and its quick access buttons. Control your accessories without looking down and focus your attention on what matters most: the road ahead and the thrills you're chasing!

Features & Descriptions

- Control the accessories with the selection of different modes, the illuminated halo around the button indicates the active mode.
- Icons illuminate when accessories are activated.
- Make accessory control changes without having to take your eyes off the trail by choosing the accessory button required (quick access).
- All Front LED Off button to turn off all front lights with one click. Remembers the last programmed setups when this button is pressed again.
- 6 pre-programmed and 8 programmable buttons to customize according to the accessories installed.

Q&A

Q: How do you personalize the control buttons?

A: If you have the 10.25" touchscreen display, you can do it within the option controls. If you have a vehicle without the touchscreen display, the dealer needs to communicate with BUDS.



SKU : 715007712

Fits On : Maverick R

Installation time : 0.15 hr

Availability : August (SJSR) / November (Ghent)

Accessories

Audio



CAN-AM Audio Systems

Developed in collaboration with JL Audio, the Maverick R audio delivers the ultimate riding soundtrack. Specifically tuned for the type of riding.

Level 3



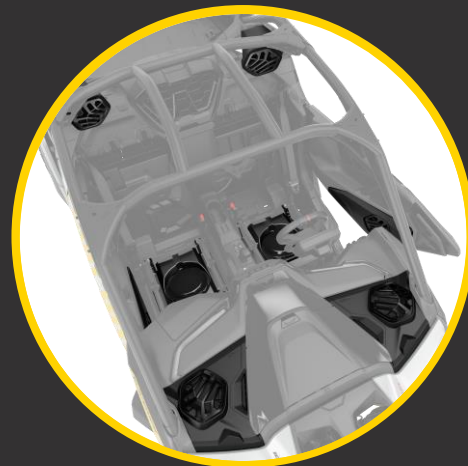
4 speakers
1 amplifier
1 subwoofer

Level 4



4 speakers
Flip Kit
compatible

Level 5



6 speakers
1 amplifier
2 subwoofers

Audio Systems

Can-Am JL Audio System - Level 3



- Controlled by the 10.25" Color Touchscreen Display or by the Can-Am JL Audio Source Unit.
- Made using premium JL Audio components.
- Four 6.5" (165 mm) speakers (two dash and two surround speakers).
- 10" (254 mm) under-seat 250W subwoofer.
- Uses one MX280/4 to power up our four speakers, and one MX500/1 to power up the under-seat subwoofer.

Amplifying the Maverick Experience with JL Audio



Can-Am JL Audio System - Level 5



- Controlled by the 10.25" Color Touchscreen Display or by the Can-Am JL Audio Source Unit.
- Made using premium JL Audio components.
- Six 6.5" (165 mm) speakers (two dash, two door, and two surround speakers).
- Two 10" (254 mm) under-seat 250 W subwoofers.
- Uses one MX500/4 to power up our six speakers, and one MX500/1 to feed the under-seat subwoofers.

Designed to fit the vehicle perfectly for a fully integrated look

Audio Systems

Can-Am JL Audio System - Level 4



- Controlled by the 10.25" Color Touchscreen Display or by the Can-Am JL Audio Source Unit.
- Fully sealed and waterproof components and construction.
- Four 7.7" coaxial speakers.
- 500-watt amplifier.
- Speakers include an adjustable RGB LED cone illumination.
- Complements well the Level 3 and Level 5 Audio Systems.

Amplifying the Maverick Experience with JL Audio



Can-Am JL Audio Roof Flip Kit



- Combines with the Can-Am JL Audio Roof - Level 4 for Flip option.

Designed to fit the vehicle perfectly for a fully integrated look

Can-Am JL Audio System - Level 5

Competitive Edge

- Take your favorite jams with you with a Can-Am JL Audio System - Level 5. With optimal sound quality and fully sealed, weatherproof components, you can keep the party going wherever you ride to.

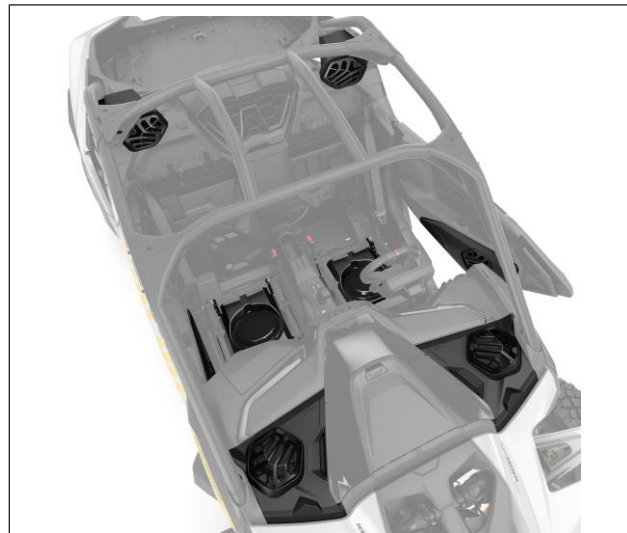
Features & Descriptions

- Orchestrated for outstanding sound quality and calibrated to enhance your audio experience.
- Designed to fit the vehicle perfectly for a fully integrated look. Designed to be Can-Am tough in the most demanding riding conditions.
- Controlled by the 10.25" Color Touchscreen Display or by the Can-Am JL Audio Source Unit.
- Made using premium JL Audio components, including six 6.5" (165 mm) speakers (two dash, two door, and two surround speakers), as well as two 10" (254 mm) under-seat 250 W subwoofers that will enhance both the driver's and the passenger's experience.
- Uses one MX500/4 to power up our six speakers, and one MX500/1 to feed the under-seat subwoofers.

Q&A

Q: Is Level 5 Audio System the highest level offered?

A: Yes, it comes with 6 speakers and 2 subwoofers. You can combine it with the Audio Roof for the ultimate audio experience.



SKU : 715007957

Fits On : Maverick R

Installation time : 3.5 hr

Availability : August (SJSR) / November (Ghent)

Can-Am JL Audio Roof - Level 4

Competitive Edge

- **Create the ultimate riding soundtrack for you and your friends with a Can-Am JL Audio Roof - Level 4. With weatherproof components, this system was designed for optimal sound quality and maximum fun.**

Features & Descriptions

- Full roof with premium JL Audio System for Maverick R. Features fully sealed and waterproof components and construction.
- Easy to install and connect. Controlled by the 10.25" Color Touchscreen Display or by the Can-Am JL Audio Source Unit.
- Its weatherproof components include four 7.7" coaxial speakers and a 500-watt amplifier. The system is expertly tuned for exceptional sound when you're riding in your Maverick R.
- Speakers include an adjustable RGB LED cone illumination, controlled via an app on your smartphone.
- When combined with the Can-Am Audio System - Level 3 (715007954) or Level 5 (715007957), it provides the ultimate sound experience.
- Not compatible with the Adventure Roof Rack (715007186).

Q&A

Q: Can a subwoofer be added?

A: Not mentioned into the Dealer Spec Book, but yes, one or two subwoofers can be installed in conjunction with the Audio Roof.

Q: Is the Audio Roof compatible with the Cold Air Roof Scoop?

A: Yes, the Cold Air Roof Scoop can be installed with either the Sport Roof or the Audio Roof – Level 4 (without Flip kit).



SKU : 715007309

Fits On : Maverick R

Installation time : 1.5 hr

Availability : August (SJSR) / November (Ghent)

Can-Am JL Audio Roof Flip Kit

Competitive Edge

- Use the Can-Am JL Audio Roof Flip Kit with the JL Audio Roof - Level 4 for the flip option. Enjoy the protection of a full roof and rock to your favorite tunes as you ride, then flip it open to keep the party going!

Features & Descriptions

- Combines with the Can-Am JL Audio Roof - Level 4 (715007309) for Flip option.
- Not compatible with the Cold Air Roof Scoop and the Roof Rack.



SKU : 715008164

Fits On : Maverick R

Installation time : 2 hr

Availability : August (SJSR) / November (Ghent)

Can-Am JL Audio System - Level 3

Competitive Edge

- Take the beat off-road with the Can-Am JL Audio System - Level 3. Designed for optimal sound quality on the move, it also delivers in the most demanding conditions. Make riding even more fun with music!

Features & Descriptions

- Orchestrated for outstanding sound quality and calibrated to enhance your audio experience.
- Designed to fit the vehicle perfectly for a fully integrated look.
- Designed to be Can-Am tough in the most demanding riding conditions.
- Controlled by the 10.25" Color Touchscreen Display or by the Can-Am JL Audio Source Unit.
- Made using premium JL Audio components, including four 6.5" (165 mm) speakers (two dash and two surround speakers), and a 10" (254 mm) under-seat 250W subwoofer that will enhance both the driver's and the passenger's experience.
- Uses one MX280/4 to power up our four speakers, and one MX500/1 to power up the under-seat subwoofer.
- Easy to install, with the option to add a second subwoofer (715007310).

Q&A

Q: Can the door speakers available in the Level 5 Audio System be added to the Level 3?

A: No, we are not offering door speakers as accessories. Consumers should be aware of this in their purchase criteria.

Q: Is an amplifier upgrade required to add another sub?

A: No, the Level 3 amplifier is enough to support two subwoofers.



SKU : 715007954

Fits On : Maverick R

Installation time : 3.5 hr

Availability : August (SJSR) / November (Ghent)

Can-Am JL Audio Subwoofer

Competitive Edge

- Small enough to fit under the seats, big enough to elevate your rides! The Can-Am JL Audio Subwoofer can resist the most demanding conditions. Jam out to great sound quality and amazing tunes.

Features & Descriptions

- Orchestrated for outstanding sound quality and calibrated to enhance your audio experience.
- Designed to be Can-Am tough in the most demanding riding conditions.
- Easy to install, this 10" (254 mm) under-seat 250 W subwoofer enhances both the driver's and the passenger's experience.
- When combined with the Can-Am audio system - Level 3 (715007954) or with the Can-Am audio roof - Level 4 (715007309), this premium JL Audio component creates the ultimate sound experience.
- To add a subwoofer to the Can-Am JL Audio Roof - Level 4, a Can-Am JL Audio Amplifier (715007714) is required.



SKU : 715007310

Fits On : Maverick R

Installation time : TBC

Availability : August (SJSR) / November (Ghent)

Can-Am JL Audio Amplifier

Competitive Edge

- Maximize sound performance with a Can-Am JL Audio Amplifier. Use it to feed your subwoofers, or combine it with the Can-Am Audio Roof - Level 4 and create the ultimate sound experience on the move.

Features & Descriptions

- Orchestrated for outstanding sound quality and calibrated to enhance your audio experience.
- Designed to fit the vehicle perfectly for a seamless integration.
- Designed to be Can-Am tough in the most demanding riding conditions.
- This MX500/1 is a premium JL Audio component and is used to feed one or two 250 W under-seat subwoofers.
- When combined with the Can-Am Audio Roof - Level 4 (715007309), it creates the ultimate sound experience.
- To add a subwoofer to the Can-Am JL Audio Roof - Level 4, this item is required.
- Easy to install, mounting support included.



SKU : 715007714

Fits On : Maverick R

Installation time : TBC

Availability : August (SJSR) / November (Ghent)

Can-Am JL Audio Source Unit

Competitive Edge

- Want to elevate your rides with a Can-Am JL Audio System? Install this AM/FM/Bluetooth-compatible Can-Am JL Audio Source Unit and rock to the sound of your favorite playlist.

Features & Descriptions

- Required with all Can-Am Audio JL levels installed on vehicles without 10.25" Color Touchscreen Display.
- Designed to fit the vehicle perfectly for a fully integrated look.
- AM/FM/Bluetooth compatible.

Q&A

Q: Can we add this to a vehicle equipped with the 10.25" Touchscreen Display?

A: No, it installs in the place of the Touchscreen Display.



SKU : 715008230

Fits On : Maverick R

Installation time : 0.75 hr

Availability : August (SJSR) / November (Ghent)

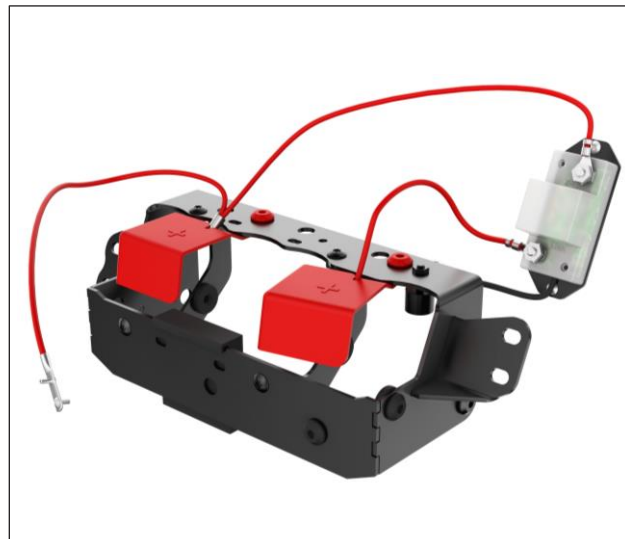
Auxiliary Battery Installation Kit

Competitive Edge

- Never run out of power with an Auxiliary Battery Installation Kit. Install a dual battery set up and always have enough juice to keep chasing the off-road thrills!

Features & Descriptions

- Allows the rider to add a second battery and or replace the original battery (18Ah or 30Ah) for a dual battery setup. Recommended to power auxiliary electrical components such as audio systems or winches.
- Automatic rundown protection.
- Installs behind the seat for easy access.
- Requires the purchase of a second battery and battery hardware (not included and sold separately).
- Equipped with an electronic module that prevents the auxiliary electrical components from draining the original battery.



SKU : 715007837

Fits On : Maverick R

Installation time : 0.75 hr

Availability : August (SJSR) / November (Ghent)

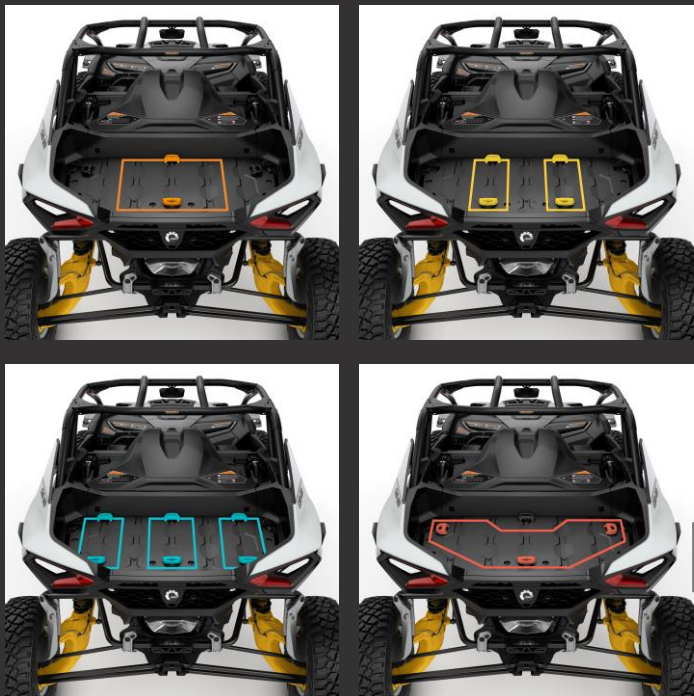
Accessories

LinQ, Cargo & Storage

Cargo Bed that adapts to your needs

- Bringing all the essentials along for the ride is easier with the multiple LinQ configurations.
- Compatible with 16" and 36" inch wide LinQ accessories, the number of possible combination is impressive.
- Seven available patterns.
- Four factory-installed LinQ base.

Mix and match new and current cargo solutions



LinQ Cargo Solutions

LinQ: New levels of LinQ integration

LinQ Accessories

Being able to maximize the available cargo space is key in a high-performance vehicle such as the Maverick.

LinQ Side Cargo Boxes (13.5L)



LinQ Trunk Box (96L)



LinQ Low Profile Box (63L)



Ability to install them together for a complete cargo solution.

The compact design allows for maximum rear field of vision.

LinQ Accessories

Being able to maximize the available cargo space is key in a high-performance vehicle such as the Maverick.

LinQ Cooler (35L)



- Fits under and over the pivoting rack

Premium-quality foam insulation for optimal ice retention.

LinQ Pivoting Rack



- Single pull release
- Fits spare tire or optimal room for cargo

Possibility of installing up to three LinQ 16" accessories on top of the rack.

LinQ Side Cargo Boxes (13.5L)

Competitive Edge

- Add cargo space easily without any tools with these solid and durable LinQ Side Cargo Boxes (13.5 L). Keep your gear safe, secure and easily accessible with a storage solution that's as tough as you are.

Features & Descriptions

- Weatherproof boxes made of impact-resistant injected polypropylene reinforced with glass fiber.
- Features a maximum storage capacity of 13.5 L each and 5 kg.
- Easy to install, easy to remove thanks to the LinQ system.
- Can already be installed on your vehicle thanks to the stock mounted LinQ anchors.
- Possibility of installing up to two LinQ 16" accessories between the LinQ Side Cargo Boxes (13.5 L). Ability to install in conjunction with the LinQ Trunk Box (96 L) for a complete cargo solution.
- Compatible with the Pivoting Rack.

Q&A

Q: Are these 16" LinQ accessories?

A: No, they have their own LinQ patterns.



SKU : 715007372

Fits On : Maverick R

Installation time : 0.3 hr

Availability : August (SJSR) / November (Ghent)

LinQ Trunk Box (96L)

Competitive Edge

- **Lock your cargo in place with the LinQ Trunk Box. This tough weatherproof storage solution is impact-resistant and lets you store up to 96 L. Just what you need for the ultimate adventure.**

Features & Descriptions

- Weatherproof trunk box made of impact-resistant injected polypropylene reinforced with glass fiber.
- Features a maximum storage capacity of 96 L and 15 kg.
- Easy to install, easy to remove with to the LinQ system.
- Can already be installed on your vehicle thanks to the stock mounted LinQ anchors.
- Ability to install in conjunction with the LinQ Side Cargo Boxes (13.5 L) for a complete cargo solution.
- Compatible with the Pivoting Rack.

Q&A

Q: Can it be installed on other platforms?

A: No, it is specific to Maverick R



SKU : 715007182

Fits On : Maverick R

Installation time : 0.3 hr

Availability : August (SJSR) / November (Ghent)

LinQ Low Profile Box (63L)

Competitive Edge

- **Up your cargo capacity and take all your gear with you with the LinQ Low Profile Box (63 L). Open up endless adventure possibilities with this versatile and impact-resistant storage essential.**

Features & Descriptions

- Made of impact-resistant injected polypropylene and weatherproof, this box has a storage capacity of 16.6 Gal (63 L).
- LinQ-mounted for efficient and secure storage, it is locked in place with only a quarter turn. Easy to install, easy to remove using the LinQ system. Can be installed in several 16" configurations (SSV), or in a 36" configuration (ATV & SSV).
- LinQ 16" accessories can be installed on the cover to increase cargo capacity.
- Easily carried with the rigid handle. The anti-vibration system prevents the handle from moving while riding. Support feet at hinge level so the box can stand on its own. The compact design allows for maximum rear field of vision.
- Features a lock on the front of the box (two keys included).

Q&A

Q: Does it fit in the Maverick R's rear cargo bed?

A: Yes, it fits.



SKU : 715007827

Fits On : G3L, Maverick R

Installation time : TBC

Availability : October (SJSR) / December (Ghent)

LinQ 9.2 Gal (35L) Cooler

Competitive Edge

- **What's better than a day on the trails? A cold refreshment at the end of it! The premium insulated LinQ 9.2 Gal (35 L) Cooler keeps your lunch cool and securely in place with the LinQ system.**

Features & Descriptions

- LinQ-mounted for efficient and secure storage, locked in place with only a quarter turn.
- Easy to install, easy to remove using the LinQ system. Installation in LinQ 36" configuration.
- Made of polyethylene for exceptional rigidity and durability.
- Storage capacity of 9.2 Gal (35 L).
- Premium-quality foam insulation for optimal ice retention.
- Molded-in handles for quick installation and removal.
- A dry basket is included to protect your food from water.
- The new ergonomic and resistant latch system ensures the top is tightly sealed.

Q&A

Q: Where does it fit?

A: This LinQ Cooler must be installed on the rear rack of G3L (1-up or MAX) models. It can also be installed in the rear cargo bed of the all-new Maverick R.

Q: Is it possible to install Tool Holders on this cooler?

A: No.

Q: Can I stack LinQ 16" accessories on top?

A: No.



SKU : 715006998

Fits On : G3L, Maverick R

Installation time : 0.25 hr

Availability : October (SJSR) / December (Ghent)

LinQ Pivoting Rack

Competitive Edge

- The LinQ Pivoting Rack lets to install a spare tire or up to three 16" LinQ accessories on top. Install this rack, secure your gear and head out to play!

Features & Descriptions

- Strong and durable, the LinQ Pivoting Rack helps keep cargo securely in place.
- Anti-corrosion coating with durable powder coat finish.
- Gas-cylinder pivot action, locks in the open position.
- Possibility of installing up to three LinQ 16" accessories on top of the rack.
- Compatible with LinQ accessories for installation under the rack.
- Features anchor points for the spare tire attachment.
- Spare Tire Tie-Downs sold separately.

Q&A

Q: What is the main difference between the Maverick R Pivoting Rack and the Maverick (SSP) version?

A: The new rack has a central latch, so you don't have to go to each side to open it.

Q: How many LinQ accessories can be installed at the same time?

A: You can fit three LinQ 16" accessories, one LinQ 36" or a spare tire.



SKU : 715007306

Fits On : Maverick R

Installation time : 1 hr

Availability : October (SJSR) / December (Ghent)

Adventure Roof Rack

Competitive Edge

- Set off on your adventures with the Adventure Roof Rack. Built to support heavy loads, this versatile cargo solution is tough, lightweight and the ideal accessory to explore new terrains.

Features & Descriptions

- The ideal cargo solution. Pack all the gear you need to take on any off-road experience.
- Built using lightweight 1.25" (3.2 cm) diameter steel tubing.
- Supports loads of up to 75 lb (34 kg).
- This roof rack features a height adjustment setting to precisely accommodate a stock roof or a roof with Cold Air Roof Scoop.
- Integrated mounting points for lights.
- Features anchor points for a spare tire attachment. The Spare Tire Tie-Downs sold separately.
- Can be completed with LinQ Adaptor (715003058) on the side.

Q&A

Q: Can it be installed with the Can-Am JL Audio Roof?

A: It can be installed with the Sport Roof (stock or accessory) and the Audio Roof.



SKU : 715007186

Fits On : Maverick (SSP), Maverick R

Installation time : 1 hr

Availability : August (SJSR) / November (Ghent)

Upper Door Storage Bags

Competitive Edge

- Maximize your cabin space and take all the gear you need with you with Upper Door Storage Bags. Tough and versatile, they keep your cargo safe and securely stowed, no matter how bumpy the ride gets!

Features & Descriptions

- These weather-resistant bags hold your gear safely and securely while you ride.
- The Door Bags fit in the upper door opening to increase your vehicle's cargo space.
- Each bag is designed as a 1.3 Gal (5 L) capacity pocket and is equipped with inner netting compartments.
- The thermoformed base attaches to the doors, allowing the bags to be installed.
- Its soft construction makes the bag flexible enough to fit odd-shaped loads.
- Added elbow cushions for extra comfort.
- Sold in pairs.

Q&A

Q: What is the key differentiator from the competition?

A: The bags have moved away from velcro attachments and are now fixed directly to the door liner.

Q: Can they be installed with the Can-Am JL Audio System – Level 5?

A: Yes.



SKU : 715008065

Fits On : Maverick R

Installation time : 0.3 hr

Availability : August (SJSR) / November (Ghent)

Lower Door Storage Bags

Competitive Edge

- Make the most of your cab space and increase your cargo capacity with Lower Door Storage Bags. Weather-resistant and easy to install, they keep your gear safe and secure while you're busy exploring.

Features & Descriptions

- These weather-resistant bags hold your gear safely and securely while you ride.
- The Door Bags fit in the lower door opening to increase the vehicle's cargo space.
- Each bag is designed as a 1.3 Gal (5 L) capacity pocket and equipped with inner netting compartments. Added cushions for extra comfort.
- The thermoformed base attaches to the doors, allowing the bags to be installed.
- Its soft construction makes the bag flexible enough to fit odd-shaped loads.
- Sold in pairs.
- Not compatible with Door Speakers (Level 5 Audio System).

Q&A

Q: What is the key differentiator from the competition?

A: The bags have moved away from Velcro attachments and are now fixed directly to the door liner.

Q: Can they be installed with the Can-Am JL Audio System – Level 5?

A: No, because the door speakers use the mounting location.



SKU : 715007324

Fits On : Maverick R

Installation time : 0.3 hr

Availability : August (SJSR) / November (Ghent)

Shoulder Storage Bag

Competitive Edge

- Always keep your essentials nearby and with a **Shoulder Storage Bag**. This weatherproof storage solution fits snugly between the seats and holds your gear securely as you focus on the trail ahead.

Features & Descriptions

- This weather-resistant bag holds your gear safely and securely while you ride.
- Attach the bag between the seats to maximize unused space and increase the vehicle's cargo capacity.
- This bag has a 1.5 Gal (6 L) capacity and is equipped with outer netting compartments, and a flexible inner net to hold items in place.
- The thermoformed base attaches to the doors, allowing the bags to be installed.
- Its soft construction makes the bag flexible enough to fit odd-shaped loads.



SKU : 715007371

Fits On : Maverick R

Installation time : 0.3 hr

Availability : August (SJSR) / November (Ghent)

Overhead Storage Bag

Competitive Edge

- **Protect your gear as you ride with this weather-resistant Overhead Storage Bag. Make the most of your overhead space, increase storage capacity and keep cargo secure on your off-roading adventures!**

Features & Descriptions

- This weather-resistant bag holds your gear safely and securely while you ride.
- Makes smart use of the overhead space and increase the vehicle's cargo capacity by 2.3 Gal (9 L).
- The thermoformed base attaches to the roof for easy bag installation and the soft construction makes the bag flexible enough to fit oddly shaped loads.
- Features a hanging function for easier access to the items in the bag, and an integrated net for even more storage space.
- Contains two sections: a fixed bag, and a detachable bag that can be carried.
- Easily access your smartphone using the touchscreen-compatible clear front pocket.

Q&A

Q: Is it compatible with the available roofs?

A: Yes, the thermoformed base and goggle compartment remain in place and you can easily leave with the storage bag portion.



SKU : 715007379

Fits On : Maverick R

Installation time : 0.25 hr

Availability : August (SJSR) / November (Ghent)

Passenger Storage Seat Bag

Competitive Edge

- **More storage, better adventures! Add a Passenger Storage Seat Bag to your ride and boost your cargo capacity. The insulated section keeps your drinks cold for the ultimate riding experience!**

Features & Descriptions

- This weather-resistant bag holds your gear safely and securely while you ride.
- Bag settling on the passenger seat to increase the vehicle's cargo capacity.
- This bag features a 14.5 Gal (55 L) storage capacity and is divided into two compartments.
- The top compartment is insulated to keep your beverages cold and includes two cup holders.
- Additional pocket inside for additional storage, such as a cell phone.
- The bottom compartment is accessible from both sides and serves as a large pocket for storing various items.
- The detachable pocket at the front of the bag can be used as a garbage bag.

Q&A

Q: Is this bag only compatible with Maverick R?

A: No, you can use this across the Can-Am SSV lineup.



SKU : 715008080

Fits On : Traxter, Traxter MAX, Commander, Commander MAX, Maverick Trail, Maverick Sport, Maverick Sport MAX, Maverick (SSP), Maverick (SSP) MAX, Maverick R

Installation time : 0.25 hr

Availability : August (SJSR) / November (Ghent)

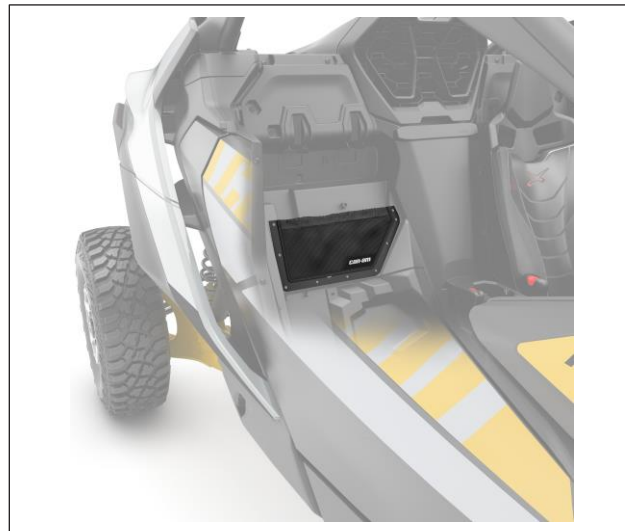
Back Panel Storage Net

Competitive Edge

- Increase your cargo capacity and keep your gear in place even on rough terrain with a Back Panel Storage Net. It's easy to take everything you need with you on your next adventures: just install, load up and go!

Features & Descriptions

- Storage net behind the passenger seat for more storage.



SKU : 715008312

Fits On : Maverick R

Installation time : 0.45 hr

Availability : August (SJSR) / November (Ghent)

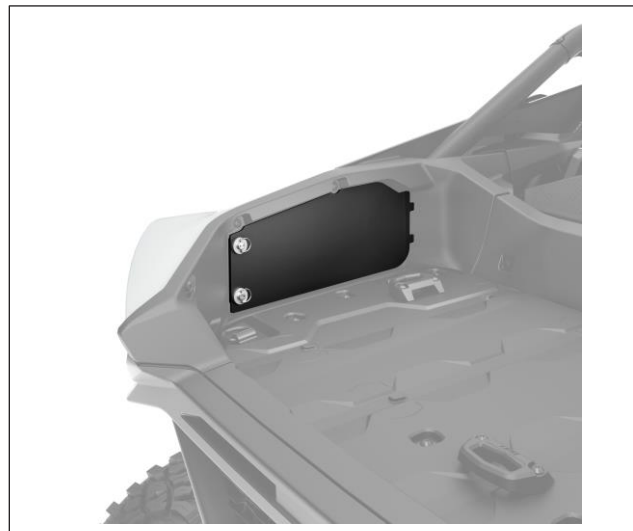
Bed Side Doors

Competitive Edge

- Create a storage area out of your rear bed with Bed Side Doors and haul whatever gear you need to tick off your to-do list.

Features & Descriptions

- Creates a storage solution out of the rear bed cavities of the unit.
- Perfect for housing trail and safety items that remain on the vehicle
- Includes two Bed Side Doors, one for each side.



SKU : 715009154

Fits On : Maverick R

Installation time : 0.25 hr

Availability : October (SJSR) / November (Ghent)

Accessories

Protection

Protection

Each riding type has its own level of protection.

Dune Front Bumpers



Desert Front Bumpers



Trail Front Bumpers



Desert Rear Bumpers



Dune Front Bumper

Competitive Edge

- Tackle any challenge head on with the Dune Front Bumper! Its heavy-duty steel frame protects the front of your vehicle while giving you a more pronounced angle of attack as you kick things up a notch!

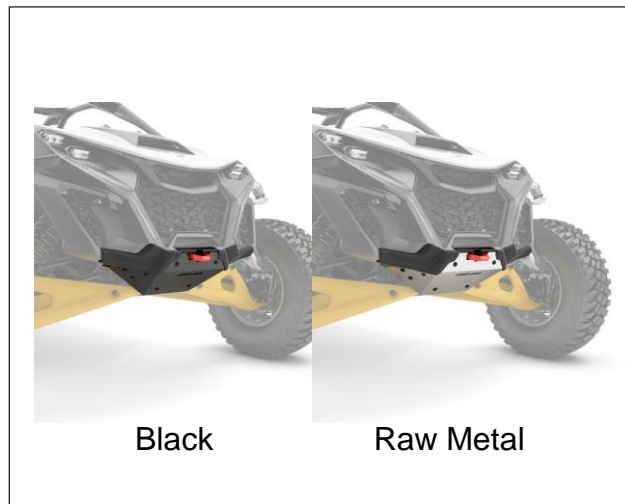
Features & Descriptions

- Highly integrated bumper that creates a more pronounced attack angle and provides added protection to the vehicle.
- Allows for better ground clearance.
- The sleek design gives the unit a sportier look.
- Made of heavy-duty steel with a 1/8" (3 mm) aluminum plate.
- Inside and outside anti-corrosion coating with durable powder coat finish.
- Features an integrated Tow Hook.
- Not winch compatible.

Q&A

Q: In what riding terrain is this bumper best positioned?

A: The terrain around which it was developed is the dune riding environment. Increasing the attack angle and adding strength to the nose, provides increased protection to steep landings and big G-outs.



Black

Raw Metal

SKU : 715007169 (Black) /

715007305 (Raw Metal)

Fits On : Maverick R

Installation time : 1.5 hr

Availability : August (SJSR) / November (Ghent)

Desert Front Bumper

Competitive Edge

- Add protection to your ride without sacrificing performance with a sleek **Desert Front Bumper**. Made of heavy-duty tubing, it protects your unit so you can enjoy your off-road adventures to the fullest.

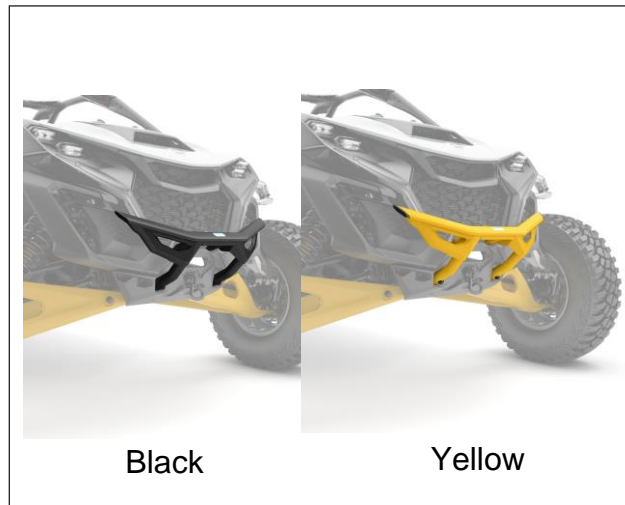
Features & Descriptions

- Sleek and rugged design.
- Provides added protection without sacrificing the agility and performance of the vehicle.
- Made of heavy-duty steel profiled tubing to protect the front of the unit.
- Inside and outside anti-corrosion coating with durable powder coat finish.
- Combine with the Rock Sliders and Rear Bumper for ultimate protection.
- Features integrated mounting points for lights.
- Winch compatible.

Q&A

Q: In what riding terrain is this bumper best positioned?

A: The terrain around which it was developed is the open desert riding environment that is full of surprises. This bumper is there to protect you in those times of need.



SKU : 715007311 (Black) /

715007691 (Yellow)

Fits On : Maverick R

Installation time : 0.5 hr

Availability : August (SJSR) / November (Ghent)

Trail Front Bumper

Competitive Edge

- The most complete front protection for your Maverick R. Protect your vehicle as you chase the thrills through the most rugged terrains.

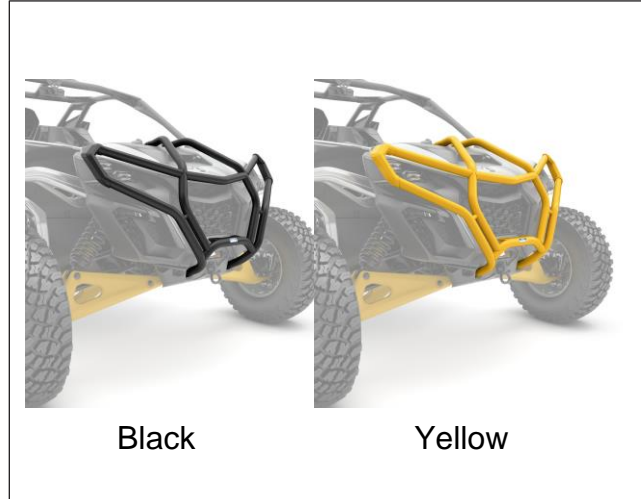
Features & Descriptions

- Can-Am's largest front bumper protects the headlights and radiator area of the unit.
- Added heavy-duty protection in extreme driving conditions.
- Made of 1.5" (3.8 cm) diameter steel tubing.
- Anti-corrosion coating with durable powder coat finish.
- Combine with the Rock Sliders and Rear Bumper for ultimate protection.
- Features integrated mounting points for lights.
- Not compatible with the 10" (25 Cm) Baja Designs OnX6 LED Light Bar (710006819).
- Winch compatible.

Q&A

Q: In what riding terrain is this bumper best positioned?

A: The terrain around which it was developed is trail riding. This is the optimal level of protection when combined with blind corners and tree lined trails.



SKU : 715007803 (Black) /

715008763 (Yellow)

Fits On : Maverick R

Installation time : 0.5 hr

Availability : October (SJSR) / December (Ghent)

Desert Rear Bumper

Competitive Edge

- Install the Desert Rear Bumper and extend the protection of your unit. Take on the toughest terrains without sacrificing performance.

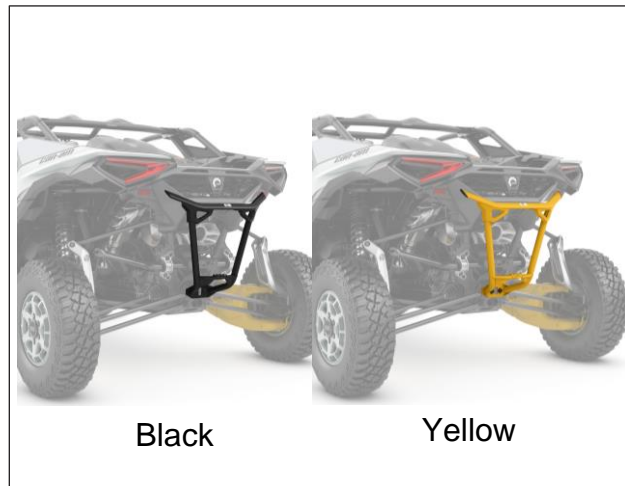
Features & Descriptions

- Rugged design.
- Provides added protection to the rear of the unit without sacrificing the agility and performance of the vehicle.
- Gives riders extra grip on the bumper and improves accessibility to rear cargo.
- Made of heavy-duty steel profiled tubing.
- Inside and outside anti-corrosion coating with durable powder coat finish.
- Combine with the Rock Sliders and Front Bumper for ultimate protection.

Q&A

Q: In what riding terrain is this bumper best positioned?

A: The terrain around which it was developed is the open desert riding environment that is full of surprises. This bumper is there to protect you in those times of need.



Black

Yellow

SKU : 715007172 (Black) /
715007694 (Yellow)

Fits On : Maverick R

Installation time : 0.25 hr

Availability : 715007172 (Aug / Nov) /
715007694 (Oct / Dec)

Rock Sliders

Competitive Edge

- Stand out from the crowd with a rugged look. Our Can-Am Rock Sliders are made for the toughest expeditions and protect the sides of your unit from large obstacles.

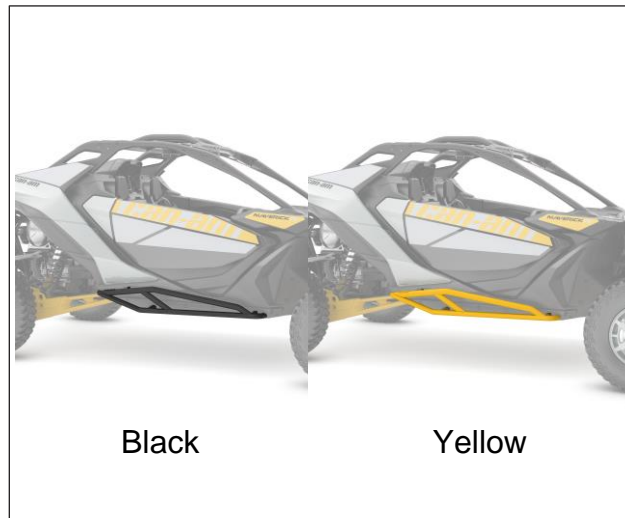
Features & Descriptions

- Protect the vehicle's sides against obstacles.
- With added grip on top to improve accessibility to the roof cargo.
- Made of unique heavy-duty steel profiled tubing.
- Inside and outside anti-corrosion coating with durable powder coat finish.
- Combine with the Front and Rear Bumpers for ultimate protection.
- Sold in pairs.

Q&A

Q: In what riding terrain are the Rock Sliders best positioned?

A: The terrain around which these were developed is the open desert riding environment that is full of surprises. The Rock Sliders are there to protect you in those times of need.



SKU : 715007170 (Black) /
715007693 (Yellow)

Fits On : Maverick R

Installation time : 0.75 hr

Availability : August (SJSR) / November (Ghent)

HMW-HDPE Rock Sliders

Competitive Edge

- Make a statement with the HMW-HDPE Rock Sliders. Give your ride a sportier look and get outstanding protection from large obstacles. Extra toughness, so you can chase the adventures you crave.

Features & Descriptions

- The sleek design gives the vehicle a sportier look.
- Tight integration with the unit's body to provide maximum obstacle clearance and outstanding protection.
- Made of combination of HMWPE and HDPE for extra durability.
- Add the Dune Front Bumper for ultimate protection and integrated lights for optimal visibility.
- Sold in pairs.

Q&A

Q: In what riding terrain are the Rock Sliders best positioned?

A: The terrain around which these were developed is rock crawling. These Rock Sliders and their construction are ideal for moving through boulder fields.



SKU : 715008142

Fits On : Maverick R

Installation time : 0.5 hr

Availability : August (SJSR) / November (Ghent)

Front Intrusion Bar

Competitive Edge

- Tough rides demand tough protection. Gain stability and a touch of rugged style without obstructing your line of view.

Features & Descriptions

- The steel intrusion bar matches the vehicle's styling and enhances its visual impact.
- The tube's design doesn't obstruct the rider's line of sight, and reduces blind spots for increased visibility.
- Inside and outside anti-corrosion coating with durable powder coat finish.
- Compatible with the 40" (102 cm) Baja Designs OnX6 Arc LED Light Bar (710006818) and SMART Integrated LED Roof Light (715007322).
- Compatible with all windshields.

Q&A

Q: How is this different from X3 Intrusion Bar?

A: This Intrusion Bar is now compatible with all our Maverick R windshields available.



SKU : 715007312

Fits On : Maverick R

Installation time : 0.5 hr

Availability : August (SJSR) / November (Ghent)

HMWPE Skid Plate Kit

Competitive Edge

- The HMWPE Skid Plate Kit is the ultimate protection for your ride. Glide over rough terrain and look after your vehicle with a kit that includes everything you need to push further and keep exploring.

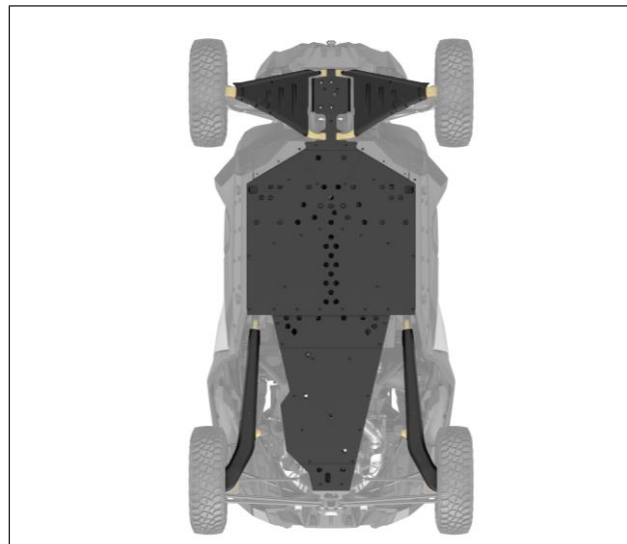
Features & Descriptions

- Includes the HMWPE Front A-Arm and Trailing Arms Protectors, the HMWPE Underbelly Plates and the HMWPE Front Skid Plate.

Q&A

Q: What is the difference between the stock skid plates and the skid plates offered as accessories?

A: The accessory skid plates are thicker (9.5 mm/0.37 in) compared to stock (4.8 mm/0.19 in).



SKU : 715007373

Fits On : Maverick R

Installation time : 0.85 hr

Availability : August (SJSR) / November (Ghent)

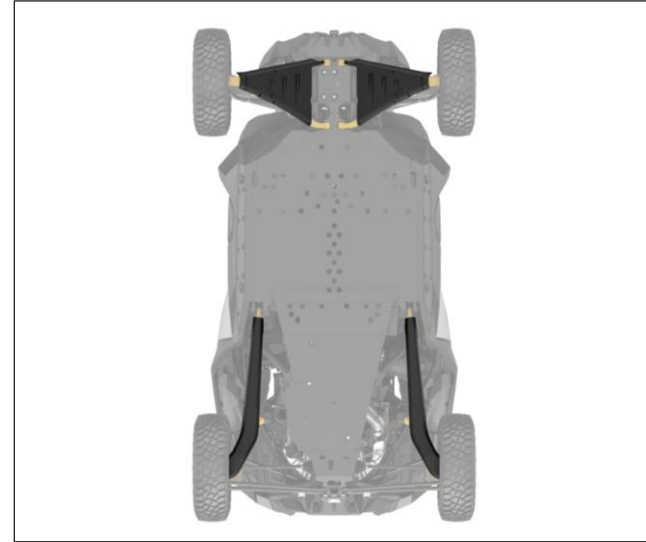
HMWPE Front A-Arm And Trailing Arm Protectors

Competitive Edge

- Smoothly glide over obstacles and keep the fun going by protecting the control arms of your unit with HMWPE Front A-Arm And Trailing Arm Protectors. Chase the fun, no matter the terrain!

Features & Descriptions

- The plastic plates glide smoothly and silently over obstacles, offering great protection when riding over rough terrain.
- Provide extra protection to the control arms of the unit.
- The new sand grain style finish provides a unique, fresh look out of the box.
- Made of abrasion-resistant thermoformed High Molecular Weight Polyethylene (HMWPE).
- Lighter than aluminum.
- Superior stress crack resistance, high-impact strength.



SKU : 715007183

Fits On : Maverick R

Installation time : 0.25 hr

Availability : August (SJSR) / November (Ghent)

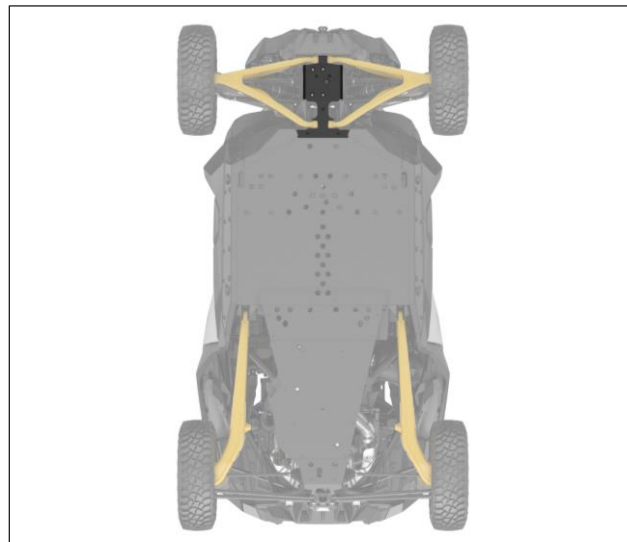
HMWPE Front Skid Plate

Competitive Edge

- You don't have to take it easy with an HMWPE Front Skid Plate protecting your vehicle. Glide smoothly over any obstacle and keep chasing every thrill when riding in rough terrain.

Features & Descriptions

- The plastic plate glides smoothly and silently over obstacles, offering great protection when riding over rough terrain.
- The new sand grain style finish provides a unique, fresh look out of the box.
- Made of abrasion-resistant thermoformed High Molecular Weight Polyethylene (HMWPE).
- Lighter than aluminum.
- Superior stress crack resistance, high-impact strength.



SKU : 715007313

Fits On : Maverick R

Installation time : 0.1 hr

Availability : August (SJSR) / November (Ghent)

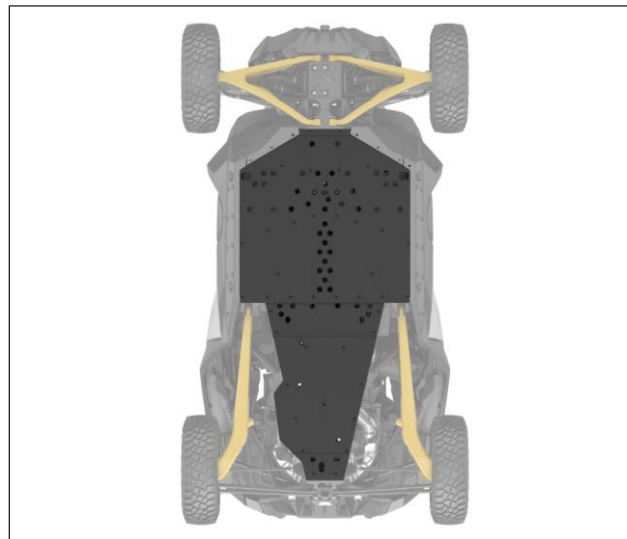
HMWPE Underbelly Plates

Competitive Edge

- **Light, yet incredibly strong and durable, the HMWPE Underbelly Plates glide smoothly over obstacles so you can ride the wildest terrain without limits. Protect your ride without compromising on fun!**

Features & Descriptions

- The plastic plates glide smoothly and silently over obstacles, offering great protection in rough terrain.
- Provides extra protection to the underbelly.
- The new sand grain style finish provides a unique, fresh look out of the box.
- Made of abrasion-resistant thermoformed High Molecular Weight Polyethylene (HMWPE).
- Lighter than aluminum.
- Superior stress crack resistance, high-impact strength.
- Ultra-sturdy 3/8" (9.5 mm) thickness.
- Added mid protection, plus extended coverage for the clutch area.



SKU : 715007314

Fits On : Maverick R

Installation time : 0.5 hr

Availability : August (SJSR) / November (Ghent)

Lonestar Racing Fire Extinguisher Support

Competitive Edge

- Keep your fire extinguisher within easy reach with a Lonestar Racing Fire Extinguisher Support. Always be at the ready with a quick-release system that lets you slide your extinguisher out in seconds.

Features & Descriptions

- Quick-release support that lets riders slide the fire extinguisher out in a matter of seconds in an emergency.
- Made of billet anodized black aluminum.
- Fits 1.85" (4.7 cm) tubing.
- Can be fixed anywhere on the cage.
- Provides riders with the safety and security of knowing they have dependable emergency equipment on board.
- Comes with both billet mounts, quick-pull pin, mounting plate and two clamps.
- Fire extinguisher sold separately.
- "Lonestar Racing for Can-Am" branded.

Q&A

Q: Why a new sku?

A: The mounting bracket has been slightly modified to fit both Maverick (SSP) and Maverick R.



SKU : 715007320

Fits On : Maverick (SSP), Maverick (SSP) MAX, Maverick R

Installation time : 0.5 hr

Availability : August (SJSR) / November (Ghent)

Accessories

Riding Comfort

Glass Windshield

Competitive Edge

- Stay protected from wind and rain with a Glass Windshield. Face whatever the weather has in store in optimal comfort and keep a clear view of the fun ahead.

Features & Descriptions

- Curved and laminated glass full windshield.
- Seals firmly against the cage and protects both the rider and the passenger from the elements.
- Provides maximum optical clarity and abrasion resistance.
- Must be used with the Wiper & Washer Kit for clear visibility during severe riding conditions, including mud riding.
- Use with rear wind protection to maximize passenger comfort.
- Must be used with the Cold Air Roof Scoop (715008280).
- Compatible with the SMART Integrated Roof LED Light (715007322). Not compatible with the Audio Roof Flip Kit (715008164).

Q&A

Q: Why is the Cold Air Roof Scoop required when installing a windshield on Maverick R?

A: It deviates fresh air that would otherwise pass into the cab area intake up and over the windshield, into the roof scoop and back to the intake and engine bay.



SKU : 715007181

Fits On : Maverick R

Installation time : 0.75 hr

Availability : October (SJSR) / December (Ghent)

Full Windshield - Hardcoated

Competitive Edge

- Stay protected from wind and rain with a Full Windshield - Hardcoated. Face whatever the weather has in store in optimal comfort and keep a clear view of the fun ahead.

Features & Descriptions

- High-impact-resistant Quantum† hardcoated polycarbonate full windshield. Formed polycarbonate construction for enhanced rigidity.
- Provides excellent optical clarity and better abrasion resistance.
- Protects the driver and the passenger from the elements.
- Quick and easy tool-less removal.
- Use with rear wind protection to maximize comfort for the passenger.
- Can be used with the Windshield Wiper & Washer Kit (715007173) (Light Duty usage only). Must be used with the Cold Air Roof Scoop (715008280).
- Not compatible with the Audio Roof Flip Kit (715008164). Compatible with SMART Integrated Roof LED Light.

Q&A

Q: Why is the Cold Air Roof Scoop required when installing a windshield on Maverick R?

A: It deviates fresh air that would otherwise pass into the cab area intake up and over the windshield, into the roof scoop and back to the intake and engine bay.



SKU : 715007321

Fits On : Maverick R

Installation time : 0.75 hr

Availability : August (SJSR) / November (Ghent)

Manual Wiper Kit

Competitive Edge

- Don't let rain or mud stop you from riding! This Manual Wiper Kit keeps your windshield clear and your field of vision open. Keep riding through anything that comes your way!

Features & Descriptions

- Single manual wiper that can be used to clear windshield of debris.
- Easy to install system that requires no electrical hookup.
- Large ergonomic handle provides a good grip over the entire sweeping surface.
- Compatible with glass and hardcoated windshields that use top mounted wipers.

Q&A

Q: Why is this not a universal fit for all platforms?

A: Because each platform windshield size is unique, and we wanted to optimize the wipe pattern for each.



SKU : 715009424

Fits On : Maverick (SSP), Maverick (SSP) MAX, Maverick R

Installation time : 0.5 hr

Availability : August (SJSR) / November (Ghent)

Rear Polycarbonate Window

Competitive Edge

- The Rear Polycarbonate Window reduces backdraft in the cab when a windshield is installed on the vehicle. Made of strong material, it enhances comfort so you can ride further, for longer.

Features & Descriptions

- High impact resistant polycarbonate window.
- Reduces windshield backdraft and stops dust and rain from entering the cabin for added comfort.
- Quick and easy installation.
- Designed to work with Can-Am's JL Audio Level - 3 and 5 rear speakers, and all roofs.

Q&A

Q: How is this unique to the Maverick R?

A: This window is specifically cut to fit the air intake and JL Level 3 & 5 rear speakers on the Maverick R.



SKU : 715007315

Fits On : Maverick R

Installation time : 0.5 hr

Availability : August (SJSR) / November (Ghent)

Rear Wind Screen

Competitive Edge

- Make longer rides more comfortable. The Rear Wind Screen reduces backdraft in the cab when a windshield is installed on the vehicle. Completely change your riding game with one accessory.

Features & Descriptions

- Full rear mesh screen reduces windshield backdraft for added cabin comfort.
- Installs quick and easily on roll cage.

Q&A

Q: How is this unique to the Maverick R?

A: This wind screen is specifically designed to fit the air intake on the Maverick R.



SKU : 715007317

Fits On : Maverick R

Installation time : 0.5 hr

Availability : August (SJSR) / November (Ghent)

Upper Wind Nets

Competitive Edge

- Let the sun and the fun in, leave the wind and the mud out! Add the Upper Wind Nets to your unit and get extra protection from the elements. The net zips let you choose the airflow for ultimate comfort.

Features & Descriptions

- This complete mesh screen net with a steel frame attaches to the door of the vehicle for added protection from the wind and mud.
- Easy to use, it follows the door's movements. Facilitates the ingress and egress.
- The net zips up and down for added ventilation when required.
- Sold in pairs.

Q&A

Q: How is it different from other options on the market?

A: It opens and closes with the door to ease and speed up ingress and egress.



SKU : 715007376

Fits On : Maverick R

Installation time : 2 hr

Availability : August (SJSR) / November (Ghent)

Rear View Mirror and Camera Monitor

Competitive Edge

- Let the sun and the fun in, leave the wind and the mud out! Add the Upper Wind Nets to your unit and get extra protection from the elements. The net zips let you choose the airflow for ultimate comfort.

Features & Descriptions

- Fully waterproof rearview mirror and monitor kit.
- See exactly what you need to see with the multiple camera feeds from the rear view camera.
- This unit replaces the stock rearview mirror (the screen is integrated in the unit's replacement rearview mirror).
- The camera uses infrared light for night vision capabilities.



SKU : 715009410

Fits On : Traxter, Traxter MAX, Commander, Commander MAX, Maverick Trail, Maverick Sport, Maverick Sport MAX, Maverick (SSP), Maverick (SSP) MAX, Maverick R

Installation time : 1 hr

Availability : August (SJSR) / November (Ghent)

Aluminum Side Mirrors

Competitive Edge

- **Get a wider field of view and increase your visibility with high-quality Aluminum Side Mirrors. Add a touch of style to your vehicle, and keep an eye on the riders you left behind in the dust!**

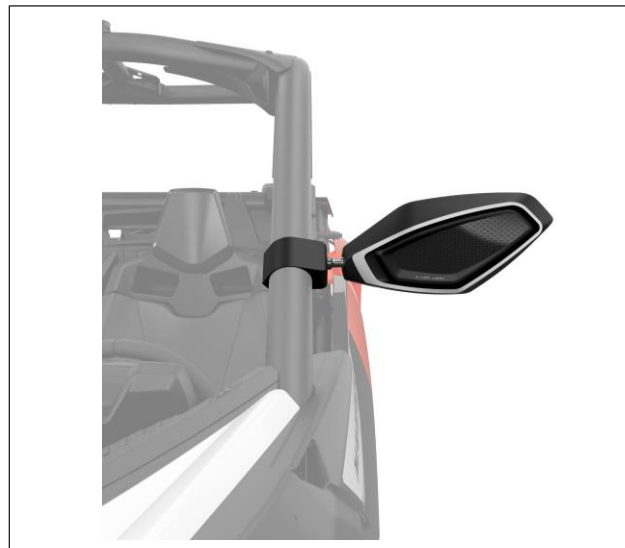
Features & Descriptions

- Sleek design. High-quality black molded aluminum for extreme durability.
- The convex surface provides a wider field of view and better visibility around the unit.
- Can be installed at any height on the cage A-pillar for optimized rider vision.
- Possibility to install the SMART Integrated LED Side Mirror Lights (715007185).
- Adjustable ball-joint mirrors. Possibility to fold down the mirrors (Fold away mechanism).
- Sold in pairs.
- Maverick R: Compatible with windshields and upper wind nets.
- Maverick (SSP): Incompatible with Glass Windshield.

Q&A

Q: What is unique with these mirrors?

A: Solid aluminum construction, the ability to add integrated LED corner lights, and the fit to Maverick R and Maverick (SSP) models will make these a popular option.



SKU : 715007363

Fits On : Maverick (SSP), Maverick (SSP) MAX, Maverick R

Installation time : 0.5 hr

Availability : September (SJSR) / November (Ghent)

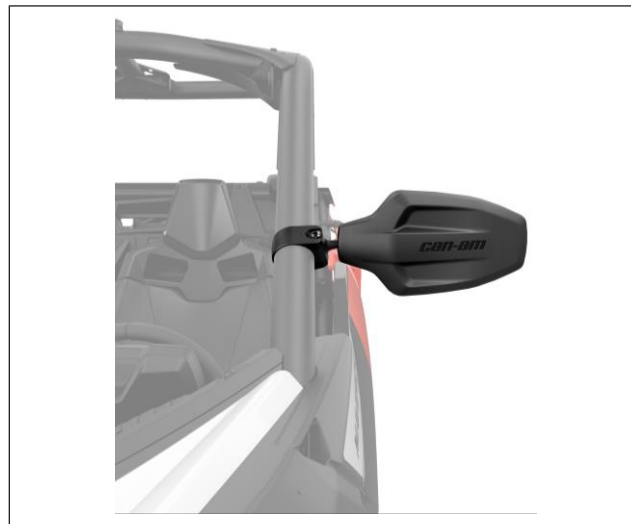
Side Mirrors

Competitive Edge

- Push further and keep an eye on what's going on behind you with impact-resistant Side Mirrors. Add a touch of style to your vehicle and get optimal field of vision.

Features & Descriptions

- Sleek design.
- High-impact resistant plastic mirrors.
- The convex surface provides a wider field of view and better visibility around the unit. Can be installed at any height on the cage A-pillar for optimized rider vision.
- Adjustable ball-joint mirrors.
- Possibility to fold down the mirrors. Fold away mechanism.
- Incompatible with Glass Windshield.
- Sold in pairs.



SKU : 715007188

Fits On : Maverick (SSP), Maverick (SSP) MAX, Maverick R

Installation time : 0.5 hr

Availability : October (SJSR) / December (Ghent)

Sport Roof

Competitive Edge

- When the weather isn't on your side, protect yourself from the rain and the sun with a Sport Roof. Stay sheltered, elevate your riding experience and keep that off-roading feeling going!

Features & Descriptions

- Impact-resistant injected polypropylene.
- Provides excellent protection from the elements and downhill visibility.
- Designed to work with the Cold Air Roof Scoop (715008280).
- Windshield compatible.



SKU : 715007364

Fits On : Maverick R

Installation time : 0.5 hr

Availability : October (SJSR) / December (Ghent)

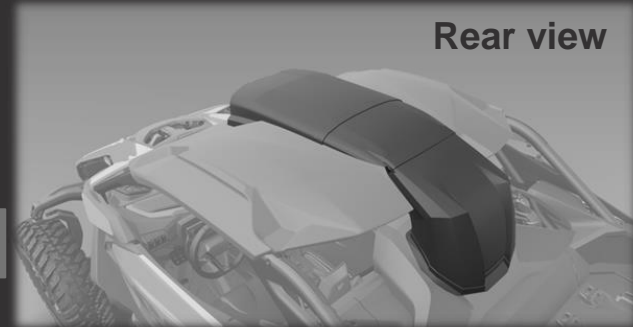
Cold Air Roof Scoop

Cold Air Roof Scoop

- Feeds fresh air to the engine compartment.
- Increases cold air to the intake to prevent power lost.
- Required when using a full windshield.
- Requires a Sport Roof or Can-Am JL Audio Roof - Level 4.



Front view



Rear view

Sleek design for a sleek racing look

Cold Air Roof Scoop

Competitive Edge

- Feed your ride with an endless supply of fresh air to your engine compartment when a full windshield is installed. Add a Cold Air Roof Scoop and prevent loss of power as you propel yourself to the head of the pack!

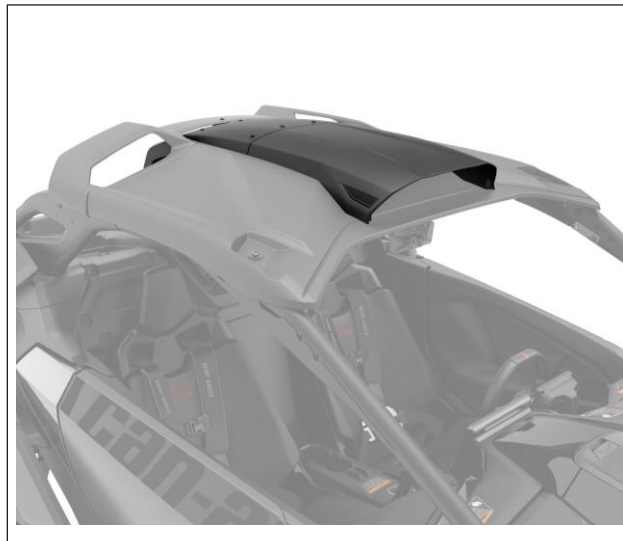
Features & Descriptions

- Feeds fresh air to the engine compartment.
- Sleek design for a sleek racing look.
- Increases cold air to the intake to prevent power lost.
- Required when using a full windshield.
- Requires a Sport Roof or Can-Am JL Audio Roof - Level 4.
- Not compatible with the Audio Roof Flip Kit.

Q&A

Q: Why is the Cold Air Roof Scoop required when installing a windshield on Maverick R?

A: It deviates fresh air that would otherwise pass into the cab area intake up and over the windshield, into the roof scoop and back to the intake and engine bay.



SKU : 715008280

Fits On : Maverick R

Installation time : 1.5 hr

Availability : August (SJSR) / November (Ghent)

Accessories

Electronics & Electricals

Electronic Device Holder

Competitive Edge

- Always have your electronic device nearby by increasing your glovebox's storage capacity with an Electronic Device Holder. The magnetic support was designed to stay firmly in place, even on your wildest rides.

Features & Descriptions

- Increases the storage capacity of the glovebox by 1 Gal (4L), with secure magnetic adjustable support for your electronic device.
- Robust injected fiber-reinforced-polypropylene construction allows for the right fit and easy installation.
- Magnet 10 times stronger than any electronic device's weight, ride through rough terrain confidently.
- 2 possible positions for your electronic device: Portrait & Landscape. Adjustable support with 2 positions: facing the passenger or towards the pilot for an improved driving experience and immersion.
- Includes everything needed for installation on your favorite electronic devices: 2 pre-assembled Can-Am plates with 3M multi-surface adhesive.

Q&A

Q: What is the difference with the current Electronic Device Holders that we offer on other platforms?

A: It can be either angled towards the driver or positioned facing the passenger for the ultimate driver/copilot experience.



SKU : 715007176

Fits On : Maverick R

Installation time : 0.5 hr

Availability : August (SJSR) / November (Ghent)

Cellphone Holder

Competitive Edge

- Access maps, music and your favorite apps on your phone with this Cellphone Holder. Make it easy to operate your device by keeping it in the perfect position and elevate your riding experience.

Features & Descriptions

- Water resistant door allows for perfect phone positioning.
- Features capacitive and resistive touch screen technology.
- Spring system in back plate automatically adjusts for thickness.
- Fits all cellphones within 7.2" (185 mm) x 3.3" (85 mm) x 0.6" (15 mm) dimensions.
- Works with almost all charger wires.
- Does not include cellphone or charging wires.



SKU : 715008786

Fits On : G3L, Traxter, Traxter MAX, Commander, Commander MAX, Maverick Trail, Maverick Sport, Maverick Sport MAX, Maverick (SSP), Maverick (SSP) MAX, Maverick R

Installation time : 0.5 hr

Availability : August (SJSR) / November (Ghent)

Baja Designs Light Mounting Kit - High Position

Competitive Edge

- Mount the Baja Designs OnX6 Arc LED Light Bar to the roof position with this High Position Mounting Kit compatible with the Cold Air Roof Scoop.

Features & Descriptions

- Mounting system for 40" (102 cm) Baja Designs OnX6 Arc LED Light Bar.
- Compatible with the Cold Air Roof Scoop.

Q&A

Q: How does it work with the Cold Air Roof Scoop?

A: These brackets raise the 40" Baja LED Light Bar above the roof scoop opening.



SKU : 715007930

Fits On : Maverick R

Installation time : 0.25 hr

Availability : August (SJSR) / November (Ghent)

Baja Designs Light Mounting Kit - Low Position

Competitive Edge

- Mount the Baja Designs OnX6 Arc LED Light Bar to the roof position with this Low Position Mounting Kit.

Features & Descriptions

- Mounting system for 40" (102 cm) Baja Designs OnX6 Arc LED Light Bar.
- Not compatible with the Cold Air Roof Scoop.



SKU : 715008585

Fits On : Maverick R

Installation time : 0.25 hr

Availability : August (SJSR) / November (Ghent)

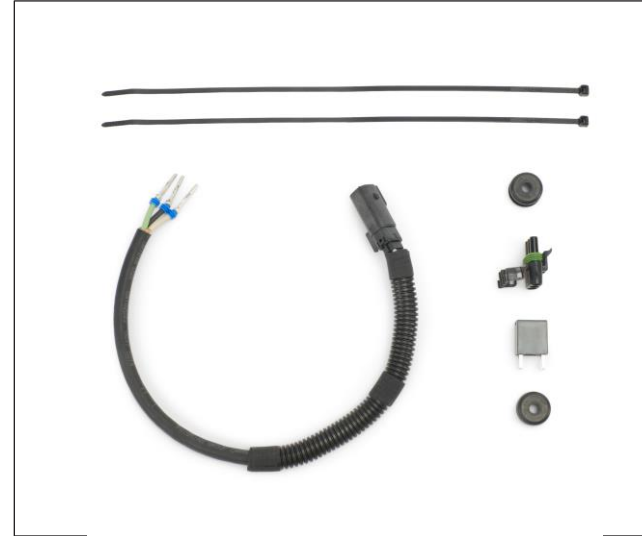
Baja Designs LED Light Bars ACM Adaptor

Competitive Edge

- This Baja Designs LED Light Bars ACM Adaptor is required to connect the Baja Designs LED Light Bars to the ACM harness.

Features & Descriptions

- Required to connect the Baja Designs LED Light Bars to the ACM harness.



SKU : 715008213

Fits On : Maverick R

Installation time : 0.5 hr

Availability : August (SJSR) / November (Ghent)

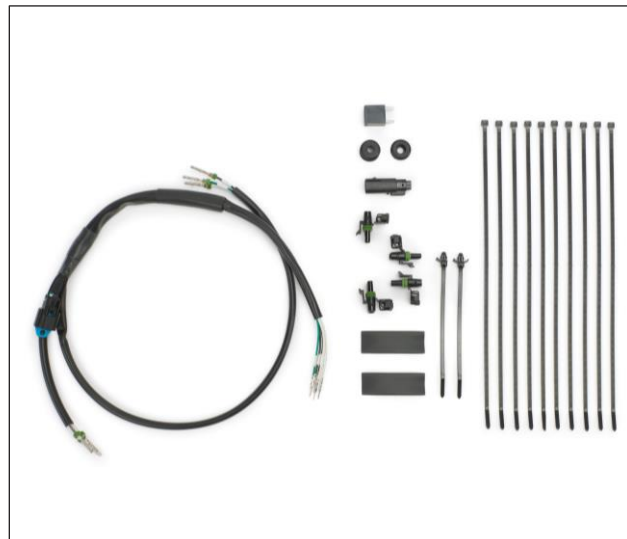
Baja Designs LED Lights ACM Adaptor

Competitive Edge

- This Baja Designs LED Lights ACM Adaptor is required to connect the Baja Designs LED Lights to the ACM harness.

Features & Descriptions

- Required to connect the Baja Designs LED Lights to the ACM harness.



SKU : 715007715

Fits On : Maverick R

Installation time : 0.5 hr

Availability : August (SJSR) / November (Ghent)

Baja Designs Lights Wiring Harness

Competitive Edge

- This Baja Designs Lights Wiring Harness is required to connect and operate the Baja Designs OnX6 LED Light Bar and the Baja Designs XL80 LED Lights when ACM is not installed.

Features & Descriptions

- Electric harness required to hook up and operate the 10" (25 cm) Baja Designs OnX6 LED Light Bar (710006819) & the Baja Designs XL80 LED Lights (710005041) for on/off function when ACM is not installed.

Not illustrated

SKU : 715008863

Fits On : Maverick R

Installation time : 1 hr

Availability : August (SJSR) / November (Ghent)

Baja Designs Lights Wiring Harness

Competitive Edge

- This Baja Designs Lights Wiring Harness is required to connect and operate the 40" (102 cm) Baja Designs OnX6 Arc LED Light Bar when ACM is not installed.

Features & Descriptions

- Electric harness required to hook up and operate the 40" (102 cm) Baja Designs OnX6 Arc LED Light Bar (710006818) for on/off function when ACM is not installed.

Not illustrated

SKU : 715008864

Fits On : Maverick R

Installation time : 1 hr

Availability : August (SJSR) / November (Ghent)

Baja Designs Lights Wiring Harness

Competitive Edge

- This Baja Designs Lights Wiring Harness is required to connect and operate the Baja Designs XL Sport LED Lights or Baja Designs Squadron Sport LED Lights when ACM is not installed.

Features & Descriptions

- Electric harness required to hook up and operate the Baja Designs XL Sport LED Lights (710006821) or Baja Designs Squadron Sport LED Lights (710006820) for on/off function when ACM is not installed.

Not illustrated

SKU : 715008865

Fits On : Maverick R

Installation time : 1 hr

Availability : August (SJSR) / November (Ghent)

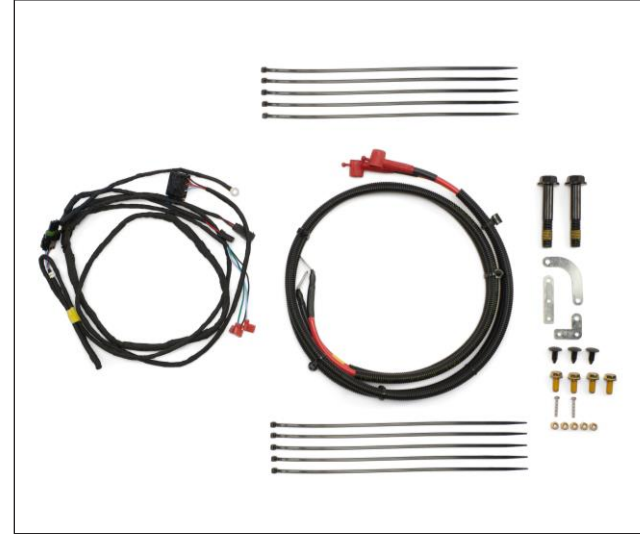
Winch Wiring Harness

Competitive Edge

- This Winch Wiring Harness is required to connect and operate a winch on your Maverick R.

Features & Descriptions

- Electric harness required to hook up and operate a Can-Am or Warn winch.



SKU : 715008850

Fits On : Maverick R

Installation time : 1 hr

Availability : August (SJSR) / November (Ghent)

Winch Roller Fairlead Spacer

Competitive Edge

- This Winch Roller Fairlead Spacer fills in the gap at the front of the vehicle to allow for a solid mounting of the Roller Fairlead.

Features & Descriptions

- Required when using a Winch and Roller Fairlead with a wire cable.
- Made of aluminum, with an anti-corrosion finish.



SKU : 715008922

Fits On : Maverick R

Installation time : 0.1 hr

Availability : August (SJSR) / November (Ghent)

can-am[®]

**TRAXTER & Line-up
Accessories
Product Launch**

16 new accessories



CLUB  2024

Front Color Door Trims

Competitive Edge

- Customize your Traxter by adding color-matched door panels.

Features & Descriptions

- Front color-matched panel for full and half doors.
- Front Deluxe Full Doors (715005214) or Front Deluxe Half Doors (715007201) are required.

Color Door Trims	Left	Right
Wildland Camo	705801118	705801119
Fiery Red	705801114	705801115

Q&A

Q: Why are all panels sold separately?

A: To access a wider range of new colors faster.

Q: Is the hardware included with the door trims?

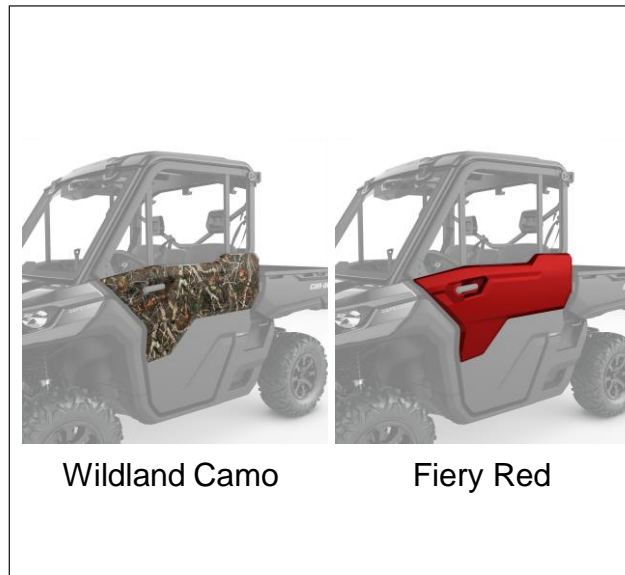
A: No, hardware is included with the new Front Deluxe Full Doors and Front Deluxe Half Doors.

Q: Do we have a color matching option for all vehicle colors?

A: No, not all colors are available, however we suggest black door trims as a master key option.

Q: Why is there two camo colors available?

A: We created the Wildland Camo panels to match the new the vehicle coloration.



Fits On : Traxter, Traxter MAX 2022 & up

Installation time : 1 hr

Availability : August (SJSR) / November (Ghent)

Rear Color Door Trims

Competitive Edge

- Customize your Traxter by adding color-matched door panels.

Features & Descriptions

- Rear color-matched panel for full and half doors.
- Rear Deluxe Full Doors (715005215) or Rear Deluxe Half Doors (715007202) are required.

Color Door Trims	Left	Right
Wildland Camo	705801120	705801121
Fiery Red	705801116	705801117

Q&A

Q: Why are all panels sold separately?

A: To access a wider range of new colors faster.

Q: Is the hardware included with the door trims?

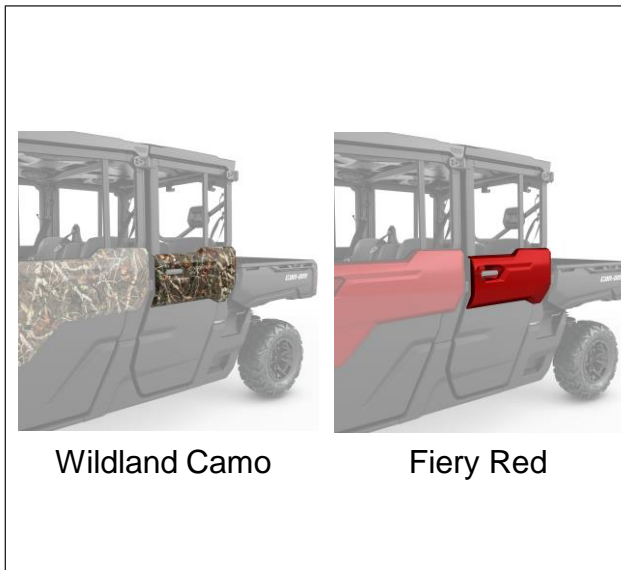
A: No, hardware is included with the new Rear Deluxe Full Doors and Rear Deluxe Half Doors.

Q: Do we have a color matching option for all vehicle colors?

A: No, not all colors are available, however we suggest black door trims as a master key option.

Q: Why is there two camo colors available?

A: We created the Wildland Camo panels to match the new the vehicle coloration.



Fits On : Traxter MAX 2022 & up

Installation time : 1 hr

Availability : August (SJSR) / November (Ghent)

Digitally Encoded Security System (D.E.S.S.TM) Keys

Competitive Edge

- Your vehicle is your pride and joy, so protect it with the top anti-theft system available. The Digitally Encoded Security System (D.E.S.S.TM) Key features cutting-edge security technology for the ultimate peace of mind.

Features & Descriptions

- Top-security anti-theft protection for Can-Am vehicles.
- The encrypted chip technology restricts access to the unit's electronic ignition system.
- One code per vehicle.
- Features a vibration/shock-resistant ball-and-socket design that ensures a reliable connection.
- Comes with three programmable keys, including:
 - Work key: configurable vehicle speed limit between 30 kph (18 mph) and maximum vehicle speed that does not limit engine torque.
 - Normal key: limits vehicle speed to 70 kph (44 mph) and 10% torque reduction on Traxter models, or 50% torque reduction on Maverick Trail models.
 - Performance key: no restrictions.

Q&A

Q: Why a new sku?

A: 2024 models with 700 motorization require a specific kit.



SKU : 715009300

Fits On : Traxter, Traxter MAX 2024 (with HD7 engine), Maverick Trail (with 700 engine)

Installation time : 0.75 hr

Availability : August (SJSR) / November (Ghent)

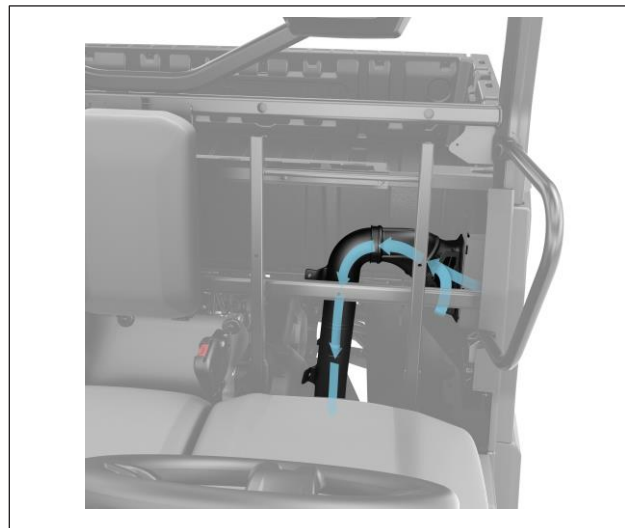
CVT Air Intake Relocation Kit

Competitive Edge

- Riding in snowy conditions becomes easy and fun once you've installed this CVT Air Intake Relocation Kit on your vehicle. It's mandatory on some models but highly recommended on most!

Features & Descriptions

- The CVT air intake relocation kit is MANDATORY for track-equipped 2020 to 2022 and some 2023* Defender and Traxter models HD10 used in snow conditions and highly recommended for other models.
- This kit is sold separately.
- *Note : Comes from the factory on some MY23, inspect the vehicle to confirm.
- Note : Mandatory on all MY20 & up Defender and Traxter models HD10 equipped with a snorkel.



SKU : 703501210

Fits On : Traxter, Traxter MAX (without Snorkel Kit)

Installation time : 0.2 hr

Availability : August (SJSR) / November (Ghent)

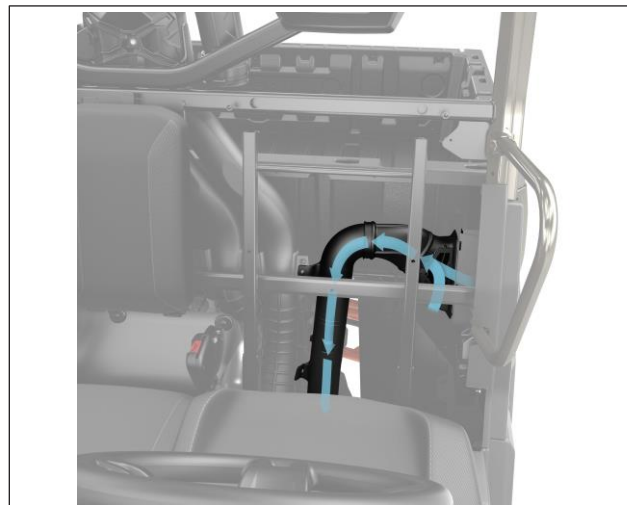
CVT Air Intake Relocation Kit

Competitive Edge

- Riding in snowy conditions becomes easy and fun once you've installed this CVT Air Intake Relocation Kit on your vehicle. It's mandatory on some models but highly recommended on most!

Features & Descriptions

- The CVT air intake relocation kit is MANDATORY for track-equipped 2020 to 2022 and some 2023* Defender and Traxter models HD10 used in snow conditions and highly recommended for other models.
- This kit is sold separately.
- *Note : Comes from the factory on some MY23, inspect the vehicle to confirm.
- Note : Mandatory on all MY20 & up Defender and Traxter models HD10 equipped with a snorkel.
- When installed, it temporarily relocates CVT air intake to the standard factory location.



SKU : 703501211

Fits On : Traxter, Traxter MAX (X mr models or models with Snorkel Kit)

Installation time : 0.3 hr

Availability : August (SJSR) / November (Ghent)

Can-Am ProMount Plow Angling System

Competitive Edge

- This Can-Am ProMount Plow Angling System is exactly what you need. Control all plow motions and get the job done.

Features & Descriptions

- Converts your plow system into an easy-to-control unit from the driver's seat.
- Allows you to have full up/down and left/right plow control at your fingertips with the supplied joystick.
- Using one hand to control all plow motions allows you to easily concentrate and manage your plowing tasks.
- Compatible with the SSV ProMount Push Frame and Blade.
- Not compatible with Apache Backcountry LT Track System.
- Push Frame Extension (715006257) is required for installation with the Front Rancher Bumper.
- Winch and plow sold separately.

Q&A

Q: What is the difference with the previous kit?

A: The hydraulic actuator has been replaced by an electric actuator for more durability and reliability. More attractive price point.



SKU : 715009241

Fits On : Traxter, Traxter MAX, Maverick (SSP),
Maverick (SSP) MAX

Installation time : 2 hr

Availability : TBC

Manual Wiper Kit

Competitive Edge

- **Don't let rain or mud stop you from riding!** This Manual Wiper Kit keeps your windshield clear and your field of vision open. Keep riding through anything that comes your way!

Features & Descriptions

- Single manual wiper that can be used to clear windshield of debris.
- Easy to install system that requires no electrical hookup.
- Large ergonomic handle provides a good grip over the entire sweeping surface.
- Compatible with glass and hardcoated windshields that use top mounted wipers.

Q&A

Q: Why is this not a universal fit for all platforms?

A: Because each platform windshield size is unique, and we wanted to optimize the wipe pattern for each.



SKU : 715008755

Fits On : Traxter, Traxter MAX

Installation time : 0.5 hr

Availability : August (SJSR) / November (Ghent)

Manual Wiper Kit

Competitive Edge

- Don't let rain or mud stop you from riding! This Manual Wiper Kit keeps your windshield clear and your field of vision open. Keep riding through anything that comes your way!

Features & Descriptions

- Single manual wiper that can be used to clear windshield of debris.
- Easy to install system that requires no electrical hookup.
- Large ergonomic handle provides a good grip over the entire sweeping surface.
- Compatible with glass and hardcoated windshields that use top mounted wipers.

Q&A

Q: Why is this not a universal fit for all platforms?

A: Because each platform windshield size is unique, and we wanted to optimize the wipe pattern for each.



SKU : 715009423

Fits On : Commander, Commander MAX, Maverick Trail, Maverick Sport, Maverick Sport MAX

Installation time : 0.5 hr

Availability : August (SJSR) / November (Ghent)

can-am[®]

ATV Accessories Product Launch

More than 10 new accessories



CLUB  2024

Accessories

Audio

Integrated Audio System



Integrated Audio System

- Fully integrated weatherproof audio system.
- 100 watts Dynamic power.
- 6.5" Bluetooth speakers with the unbeatable convenience of fingertip control.
- Tuned for exceptional sound on our Outlander (G3L).

Fully integrated and weatherproof audio system

Integrated Audio System

Competitive Edge

- **Keep the fun going when the conditions get tough with a Fully Integrated Audio System. The weatherproof components are tuned for outstanding sound quality, so you can just plug, play and ride away.**

Features & Descriptions

- Fully integrated and weatherproof audio system.
- Includes two 6.5" front fender Bluetooth speakers giving you fingertip control of the tracks you're playing.
- Designed to be Can-Am tough in the most demanding riding conditions.
- Expertly tuned for exceptional sound, even when you're on the move on your Outlander. Comes with two speakers, each with 50 W dynamic power, for a total of 100 W dynamic power.
- Seamless integration and operation from any Bluetooth-enabled devices, or via an auxiliary port. Plug-and-play audio system specifically designed not to drain the battery.
- Compatible with the Console Extension (715005368) and Adventure Windshields. Not compatible with the Adventure Side Wind Deflectors (715005862).

Q&A

Q: Is the Integrated Audio System fits on X mr models?

A: Yes.

Q: How long will it play music with the engine not running?

A: Key ON & Engine Off = 10min.

Q: How long does it take to install the system?

A: Less than 45 minutes.



SKU : 715005354

Fits On : G3L

Installation time : 0.70 hr

Availability : August (SJSR) / November (Europe)

Accessories

LinQ, Cargo & Storage

LinQ Accessories

Being able to maximize the available cargo space is key for the long rides.

LinQ Low Profile Box (63L)



The compact design allows for maximum rear field of vision.

LinQ Cooler (35L)



Premium-quality foam insulation for optimal ice retention.

LinQ Low Profile Box (63L)

Competitive Edge

- **Up your cargo capacity and take all your gear with you with the LinQ Low Profile Box (63 L). Open up endless adventure possibilities with this versatile and impact-resistant storage essential.**

Features & Descriptions

- Made of impact-resistant injected polypropylene and weatherproof, this box has a storage capacity of 16.6 Gal (63 L).
- LinQ-mounted for efficient and secure storage, it is locked in place with only a quarter turn. Easy to install, easy to remove using the LinQ system. Can be installed in several 16" configurations (SSV), or in a 36" configuration (ATV & SSV).
- LinQ 16" accessories can be installed on the cover to increase cargo capacity.
- Easily carried with the rigid handle. The anti-vibration system prevents the handle from moving while riding. Support feet at hinge level so the box can stand on its own. The compact design allows for maximum rear field of vision.
- Features a lock on the front of the box (two keys included).

Q&A

Q: Does it fit on the front rack of the G3L?

A: Yes, it fits all ATV racks but may not open in some scenarios. (front rack with windshield or rear rack on MAX models with passenger seat).



SKU : 715007827

Fits On : G3L

Installation time : 0.25 hr

Availability : October (SJSR) / November (Europe)

LinQ 9.2 Gal (35L) Cooler

Competitive Edge

- **What's better than a day on the trails? A cold refreshment at the end of it! The premium insulated LinQ 9.2 Gal (35 L) Cooler keeps your lunch cool and securely in place with the LinQ system.**

Features & Descriptions

- LinQ-mounted for efficient and secure storage, locked in place with only a quarter turn.
- Easy to install, easy to remove using the LinQ system. Installation in LinQ 36" configuration.
- Made of polyethylene for exceptional rigidity and durability.
- Storage capacity of 9.2 Gal (35 L).
- Premium-quality foam insulation for optimal ice retention.
- Molded-in handles for quick installation and removal.
- A dry basket is included to protect your food from water.
- The new ergonomic and resistant latch system ensures the top is tightly sealed.

Q&A

Q: Where does it fit?

A: This LinQ Cooler must be installed on the rear rack of G3L (1-up or MAX) models. It can also be installed in the rear cargo bed of the all-new Maverick R.

Q: Is it possible to install Tool Holders on this cooler?

A: No.

Q: Can I stack LinQ 16" accessories on top?

A: No.



SKU : 715006998

Fits On : G3L, Maverick R

Installation time : 0.25 hr

Availability : October (SJSR) / November (Europe)

LinQ Gun Case Mounting Kit (Fender position)



LinQ Gun Case Mounting Kit

- Popular Footwell mounting.
- Low profile mounting kit installs on the right side of the vehicle.
- Required to install the LinQ Gun Case on fender position on G3L models and G3L X mr models.

The safety system allows the driver or passenger to quickly exit the vehicle.

LinQ Gun Case Mounting Kit - Fender position

Competitive Edge

- Turn your ride into the ultimate hunting machine with a LinQ Gun Case Mounting Kit - Fender Position. Its system allows for quick exits when fast action is needed. Use it to install the LinQ Gun Case.

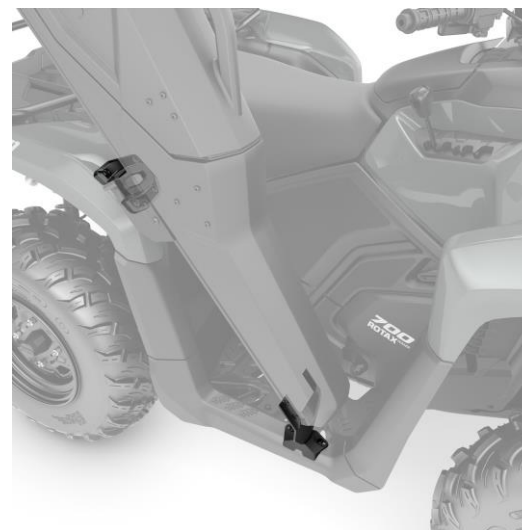
Features & Descriptions

- This kit is required to install the LinQ Gun Case on fender position on G3L, G3L MAX and X mr models.
- Installs on the right side of the vehicle, and the safety system allows the driver or passenger to quickly exit the vehicle.
- The low-profile mounting system can be left on the vehicle year-round and doesn't get in the way when the Gun Case is not installed.

Q&A

Q: Can it be installed on the left side of the unit?

A: No, it must be installed on the right side only.



SKU : 715006074

Fits On : G3L

Installation time : 0.75 hr

Availability : September (SJSR) / November (Europe)

Accessories

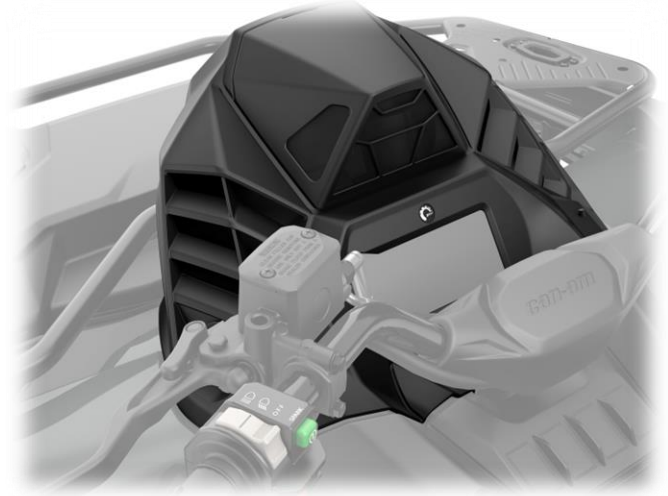
Performance

Radiator Relocator Kit



- Relocates radiator to top mount position.
- Prevents cooling performance loss in muddy conditions.

Snorkel Kit



- Comprehensive snorkel kit for extended air intakes and CVT exhaust.
- The CVT outlet integrates into the pod cover.
- Ideal when riding in muddy conditions.

Radiator Relocator Kit

Competitive Edge

- Up your mud game with a Radiator Relocator Kit! Keep your vehicle cool and prevent a loss of performance by relocating your radiator to top mount position. That's how you stay ahead in the muddiest of conditions!

Features & Descriptions

- Relocates radiator to top mount position.
- Prevents cooling performance loss in muddy conditions.
- Allows riders to open the relocator hood for easy radiator cleaning
- Engineered for easy cooling system bleeding and maintenance.
- Includes support, hardware and hoses. Uses existing radiator: radiator not included.



SKU : 715004943

Fits On : G3L

Installation time : 2.5 hr

Availability : December (SJSR) / February (Europe)

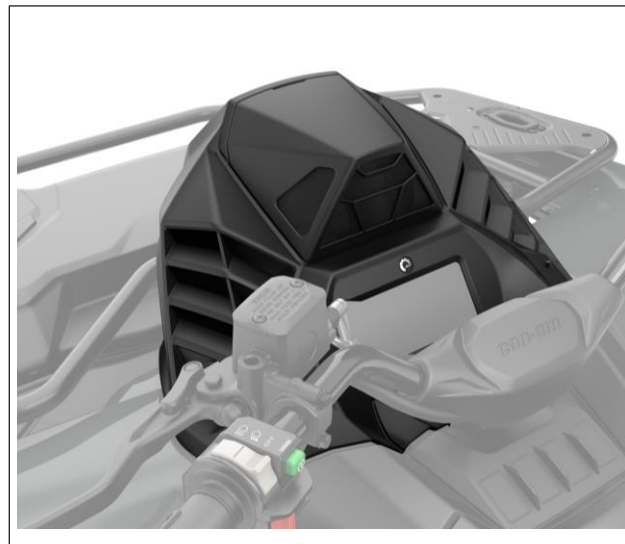
Snorkel Kit

Competitive Edge

- Get down and dirty with a Snorkel Kit designed for deep mud riding. Raise the point of the air intake and keep your vehicle going even when going deep. Welcome to mud heaven!

Features & Descriptions

- Comprehensive snorkel kit for extended air intakes and CVT exhaust.
- The CVT outlet integrates into the pod cover.
- Ideal when riding in muddy conditions.
- Not compatible with windshields.
- Can be installed with the Integrated Audio System (715005354).



SKU : 715005073

Fits On : G3L

Installation time : 10 hr

Availability : August (SJSR) / November (Europe)

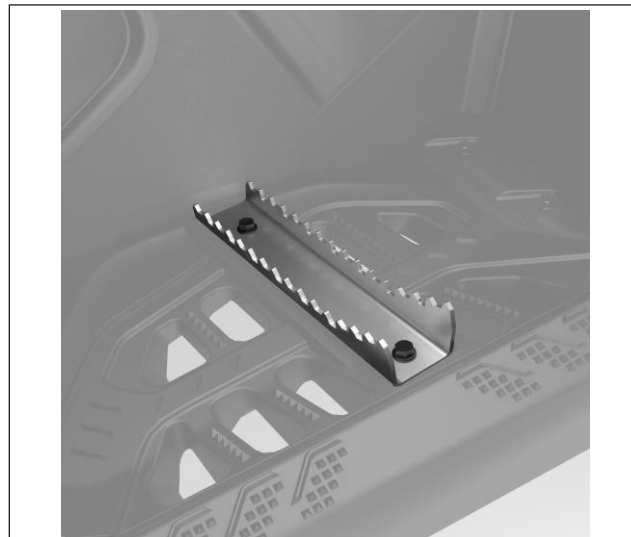
Aluminum Footpeg Kit

Competitive Edge

- Install this Aluminum Footpeg Kit and get ready to take on the toughest corners. The pegs provide you with maximum grip and stability, no matter how wild the ride gets.

Features & Descriptions

- Provides maximum integrated grip and stability during vigorous riding.
- The kick-up end gives riders added grip during hard cornering.
- Made of aluminum, sold in pairs.



SKU : 715008199

Fits On : G3L

Installation time : 0.25 hr

Availability : August (SJSR) / November (Europe)

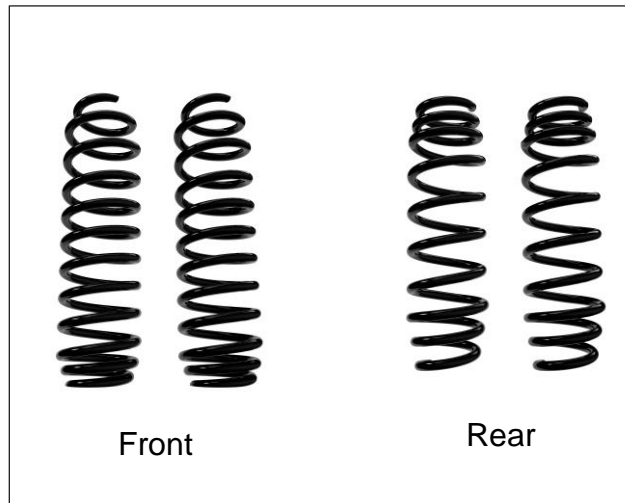
Heavy Duty Spring Kit

Competitive Edge

- Make hard work easy. Replace your suspension setup with these Heavy-Duty Spring Kits (Front & Rear) and improve your ride's handling when hauling heavy loads. Enhanced stiffness, exactly when you need it.

Features & Descriptions

- Allows riders to replicate the standard HD5/HD7 suspension setup on the Outlander 500/700 (1-up).
- The heavy-duty springs improve handling and provide enhanced stiffness, which is perfect for snow clearing and hauling heavy loads.
- Two springs included in the kit.



SKU : 715008202 (Front) /
715004942 (Rear)

Fits On : G3L (except MAX & X mr models)

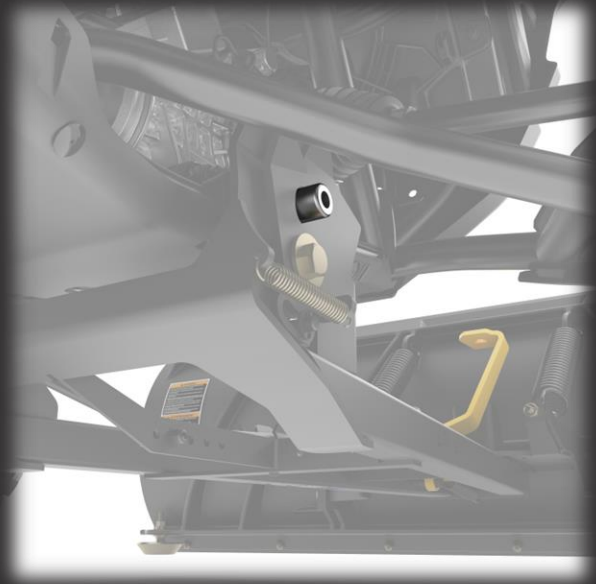
Installation time : 0.5 hr

Availability : August (SJSR) / November (Europe)

Accessories

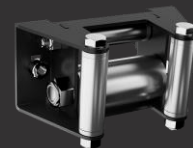
Plows

Can-Am ProMount Mounting Kit



Can-Am ProMount Mounting Kit

- Integrated mounting points for the NEW plows pins to be installed on G3L eliminate the need for a mounting plate on G3L.
- Fast, easy install.
- No bulky plate hanging from the bottom of the machine.
- Forging is stock on all vehicles.
- Comes with the Plow Roller Fairlead.



715009483



Can-Am ProMount Mounting Kit

Competitive Edge

- To install the ProMount Push Frame with Quick-Attach System, you need the Can-Am ProMount Mounting Kit. It's that simple. And with this kit on, it's every possibility that opens up this winter.

Features & Descriptions

- Required to install the Can-Am ProMount Push Frame with Quick-Attach System.
- 20mm mounting rods are designed to stay in place all year round without compromising on ground clearance.
- No drilling required.
- Quick installation directly to the chassis.
- Plow Roller Fairlead included.

Q&A

Q: Why did we bundle the Large Roller Fairlead with the pins?

A: The larger lower roller does improve lifespan of winch cables and we want to secure our customer's experience by reducing the hassle of broken winch cable.



SKU : 715009483

Fits On : G3L

Installation time : 0.25 hr

Availability : October (SJSR) / December (Europe)

Accessories

Protection

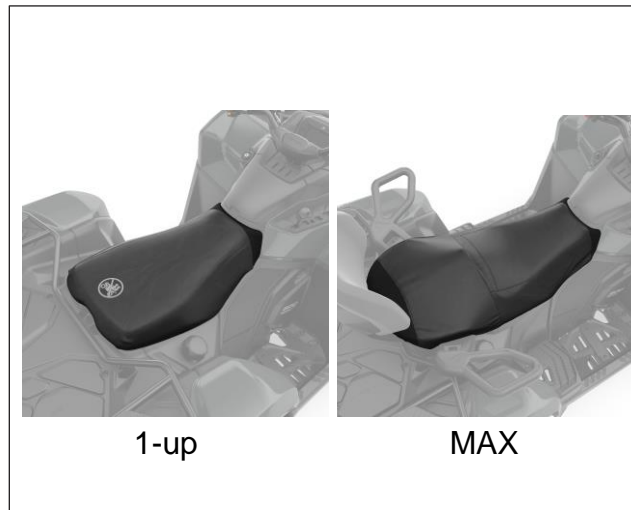
Heavy-Duty Seat Cover

Competitive Edge

- Keep your seat in pristine condition with this Heavy-Duty Seat Cover. Designed to fit your unit perfectly, it protects against dirt and sun damage.

Features & Descriptions

- Heavy-duty materials to cover and protect the seat.
- Designed to fit the vehicle's lines perfectly.
- Abrasion- and tear-resistant.
- Easily installed by stretching around the original seat: the elastic holds the cover securely in place.



SKU : 715008311 (1-up) /
715008313 (MAX)

Fits On : G3L

Installation time : 0.25 hr

Availability : August (SJSR) / November (Europe)

CLUB  **2024**